

RADIALL DETAIL SPECIFICATION FOR SHF COAXIAL CONNECTORS

Rédigé par / Written by	Responsabilité / Responsibility	Date	Signature
S. POIZAT	Space Project Manager	19/08/2020	
Vérifié par / Verified by			
V.EUDELIN	Space B. U. Manager	19/08/2020	
Approuvée par / Approved by			
E. ALVES	Space Quality Manager	19/08/2020	

DOCUMENTATION CHANGE NOTICE

REVISION OR ISSUE	DATE	CHANGE
1 -	05/03/03	Creation – Replacement of specification R23SHF-CONN Issue 6
1 A	11/05/04	Connectors low weight added, R125065T00X, R143068T00X, R143198T00X.
1B	13/12/04	Typing errors corrected
1 C	04/02/05	TNC connectors for SHF5MS added (R143065100 – R143195100) and corrected figures of SMA connectors for SHF8MS (R125068021 – R125199123) to show the position of venting hole
1 D	03/10/05	Updated to show the position of venting hole on SMA for SHF5MS. Added TNC connectors 18GHz for SHF8MS. Correction of figure 2.4.1. page 17. Updated references of connectors for SHF3MS: - R125063141X instead of R125063141 - R125193101X instead of R125193101
1 E	23/11/05	Correction of interface dimension for TNC HP DC-8GHz (dimensions “a” and “m”)
2 -	21/06/06	Added SMA2.9 connectors for SHF3MS and SHF5MS and modification of Low weight connectors.
2 A	17/06/08	Correction of interface dimension for TNC HP DC-8GHz (dimensions “h” and “j”). Modification of design for connector R125065T00X Cancelled connector TNCHP LW
2/B	22/07/11	Updated to show the position of venting hole on TNC connectors for SHF5MS (§2.3.1) Cancelled connectors for SHF13MS
2/C	29/05/12	Added SMP Lock connectors for SHF2.4MS
2/D	12/12/12	Added SMA2.9 connectors for SHF4.8MSULL32 Cancelled SMA connectors for SHF5MS LW2
2/E	14/02/14	Correction of SMA 2.9 interface dimensions, dimensions 7, 9, 11 for pin contact, dimensions 10 & 11 for socket contact. Replace SMA Right angle connector for SHF2.4MS (R125153122X by R125192101X)
2/F	06/01/2017	Added SMA connector for SHF4.8Ms (R125065329X)
2/G	11/04/2018	Added SMPL connector for SHF3MS
3/-	16/10/2018	Added SMA jack connectors for SHF2.4MS, SHF4.8MS and SHF5MS Added SMPL for SHF4.8MS
3/A	09/04/2019	Change 2D view of connectors by a new one in color Updated to correct the plating for SMPL of SHF3MS & 4.8MS: Ni2 Au1.3µm instead of Ni1.3 Au1.3µm
3/B	19/08/2020	Updated to correct typing error for paragraph 2.2.2 dimension Ød: 4.592mm instead of 0.4592mm



	DETAIL SPECIFICATION		
	REF. : RAD-DET-CONN-008		
	Date: August 19th 2020	ED/REV: 3/B	PAGE : 3/26

TABLE OF CONTENTS

1. SCOPE	4
2. PIECE PART TECHNICAL DESIGN	5
2.1. SMA & SMA2.9 CONNECTOR INTERFACE CONTROL DRAWING.....	5
2.1.1. SMA connector for SHF2.4MS cable.....	5
2.1.2. SMA & SMA2.9 connector for SHF3MS cable.....	7
2.1.3. SMA & SMA2.9 connector for SHF4.8MS cable.....	9
2.1.4. SMA & SMA2.9 connector for SHF5MS cable.....	10
2.1.5. SMA connectors for SHF8MS cable with venting hole	12
2.2. INTERCHANGEABILITY FOR SMA SERIE.....	13
2.2.1. SMA jack.....	13
2.2.2. SMA plug.....	14
2.2.3. SMA2.9 jack.....	15
2.2.4. SMA2.9 plug.....	16
2.3. TNC CONNECTOR INTERFACE CONTROL DRAWING	17
2.3.1. TNC connectors for SHF5MS cable with venting hole.....	17
2.3.2. TNC connectors for SHF8MS cable with venting hole.....	18
2.3.3. TNC connectors SHF8MS cable - High power type with venting hole	19
2.3.4. TNC connectors SHF8MS cable - Very High Power type with venting hole	20
2.4. INTERCHANGEABILITY FOR TNC SERIE	20
2.4.1. TNC plug DC/ 18 GHz	20
2.4.2. TNC 18 Jack DC / 18 GHz.....	21
2.4.3. TNC Plug high power DC / 8 GHz	22
2.5. SMP LOCK CONNECTOR INTERFACE CONTROL DRAWING	23
2.5.1. SMP Lock connector for SHF2.4MS cable	23
2.5.2. SMP Lock connector for SHF3MS cable	24
2.5.3. SMP Lock connector for SHF4.8MS cable	25
2.6. INTERCHANGEABILITY FOR SMP LOCK SERIE.....	26
2.6.1. SMP Lock Female DC-40GHz: MIL-STD 348a, NOTICE 6, FIGURE 326-1.....	26

	DETAIL SPECIFICATION		
	REF. : RAD-DET-CONN-008		
	Date: August 19th 2020	ED/REV: 3/B	PAGE : 4/26

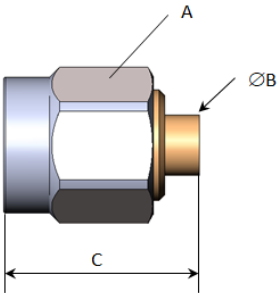
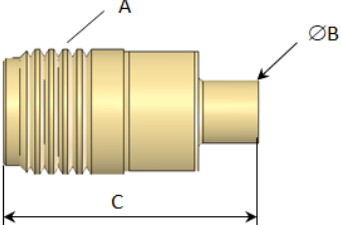
1. SCOPE

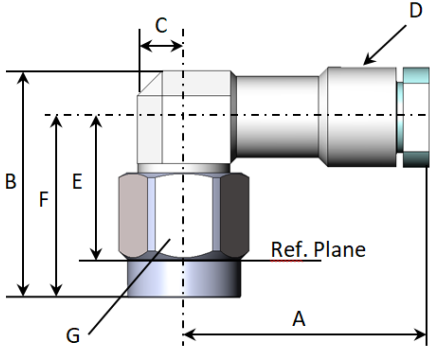
This specification must be considered as a detail specification for RADIALL specification RAD-GEN-CSHF-001

This technical specification describes all the dimensions of coaxial connectors used for the manufacturing of coaxial cable assemblies for SPACE market.

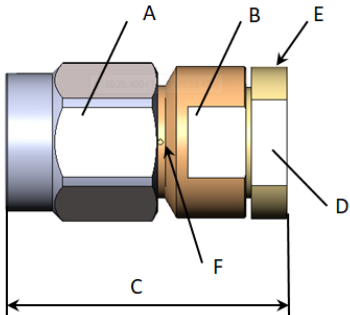
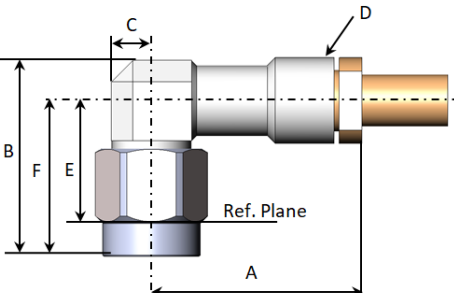
These connectors are specific and cannot be sold separately, they are considered as part of coaxial cable assemblies

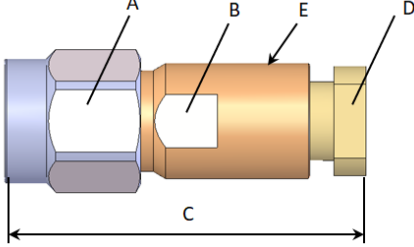
2. PIECE PART TECHNICAL DESIGN
2.1. SMA & SMA2.9 Connector Interface Control Drawing
2.1.1. SMA connector for SHF2.4MS cable

CONNECTOR REFERENCE	DESCRIPTION																														
R125.052.122X	<p><u>Straight and Elbow Plug</u></p>  <table border="1" style="margin-left: 20px;"> <thead> <tr> <th>Dimension</th> <th>mm</th> <th>inches</th> </tr> </thead> <tbody> <tr> <td>A</td> <td>Hex 8 / flats</td> <td>Hex .315/Flats</td> </tr> <tr> <td>ØB</td> <td>3.45</td> <td>0.135</td> </tr> <tr> <td>C</td> <td>11.15</td> <td>0.439</td> </tr> </tbody> </table> <table border="1" style="margin-left: 20px;"> <thead> <tr> <th>Component</th> <th>materials</th> <th>Plating (μm)</th> </tr> </thead> <tbody> <tr> <td>Coupling Nut</td> <td>Stainless steel</td> <td>Passivated</td> </tr> <tr> <td>Center contact</td> <td>Brass</td> <td>Ni 2 / Au 1.3</td> </tr> <tr> <td>Insulator</td> <td>PTFE</td> <td></td> </tr> <tr> <td>Body</td> <td>Stainless Steel</td> <td>Ni 2 / Au 0.5i</td> </tr> <tr> <td>Gasket</td> <td>Silicone Rubber</td> <td></td> </tr> </tbody> </table>	Dimension	mm	inches	A	Hex 8 / flats	Hex .315/Flats	ØB	3.45	0.135	C	11.15	0.439	Component	materials	Plating (μ m)	Coupling Nut	Stainless steel	Passivated	Center contact	Brass	Ni 2 / Au 1.3	Insulator	PTFE		Body	Stainless Steel	Ni 2 / Au 0.5i	Gasket	Silicone Rubber	
Dimension	mm	inches																													
A	Hex 8 / flats	Hex .315/Flats																													
ØB	3.45	0.135																													
C	11.15	0.439																													
Component	materials	Plating (μ m)																													
Coupling Nut	Stainless steel	Passivated																													
Center contact	Brass	Ni 2 / Au 1.3																													
Insulator	PTFE																														
Body	Stainless Steel	Ni 2 / Au 0.5i																													
Gasket	Silicone Rubber																														
CONNECTOR REFERENCE	DESCRIPTION																														
R125.232.109X	<p><u>Straight Jack</u></p>  <table border="1" style="margin-left: 20px;"> <thead> <tr> <th>Dimension</th> <th>mm</th> <th>inches</th> </tr> </thead> <tbody> <tr> <td>A</td> <td>Thread 1/4 36 UNS-2A</td> <td></td> </tr> <tr> <td>ØB</td> <td>3.1</td> <td>0.12</td> </tr> <tr> <td>C</td> <td>12.7</td> <td>0.5</td> </tr> </tbody> </table> <table border="1" style="margin-left: 20px;"> <thead> <tr> <th>Component</th> <th>materials</th> <th>Plating (μm)</th> </tr> </thead> <tbody> <tr> <td>Body</td> <td>Beylium copper</td> <td>Ag 2 Ni2 / Au1.3</td> </tr> <tr> <td>Center Contact</td> <td>Beylium copper</td> <td>Ag2 Ni2 / Au1.3</td> </tr> <tr> <td>Insulator</td> <td>PTFE</td> <td>-</td> </tr> </tbody> </table>	Dimension	mm	inches	A	Thread 1/4 36 UNS-2A		ØB	3.1	0.12	C	12.7	0.5	Component	materials	Plating (μ m)	Body	Beylium copper	Ag 2 Ni2 / Au1.3	Center Contact	Beylium copper	Ag2 Ni2 / Au1.3	Insulator	PTFE	-						
Dimension	mm	inches																													
A	Thread 1/4 36 UNS-2A																														
ØB	3.1	0.12																													
C	12.7	0.5																													
Component	materials	Plating (μ m)																													
Body	Beylium copper	Ag 2 Ni2 / Au1.3																													
Center Contact	Beylium copper	Ag2 Ni2 / Au1.3																													
Insulator	PTFE	-																													

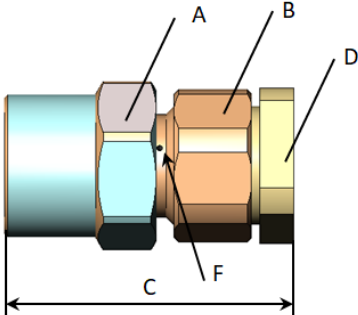
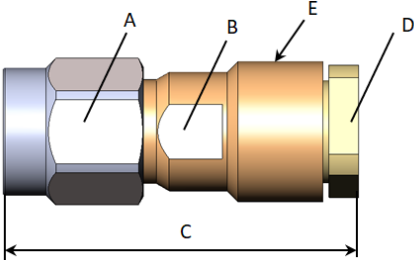
CONNECTOR REFERENCE	DESCRIPTION																																										
R125.192.101X	<p>Right angle plug</p>  <table border="1" data-bbox="925 515 1428 772"> <thead> <tr> <th>Dimension</th> <th>mm</th> <th>inches</th> </tr> </thead> <tbody> <tr> <td>A</td> <td>16.7</td> <td>0.657</td> </tr> <tr> <td>B</td> <td>15.5</td> <td>0.598</td> </tr> <tr> <td>C</td> <td>3.15</td> <td>0.125</td> </tr> <tr> <td>ØD</td> <td>7</td> <td>0.29</td> </tr> <tr> <td>E</td> <td>9.32</td> <td>0.366</td> </tr> <tr> <td>F</td> <td>12.02</td> <td>0.473</td> </tr> <tr> <td>G</td> <td>Hex 8 / flats</td> <td>Hes .315/Flats</td> </tr> </tbody> </table> <table border="1" data-bbox="558 862 1308 1064"> <thead> <tr> <th>Component</th> <th>materials</th> <th>Plating (µm)</th> </tr> </thead> <tbody> <tr> <td>Coupling Nut</td> <td>Stainless steel</td> <td>Passivated</td> </tr> <tr> <td>Center contact</td> <td>CuBe</td> <td>Ni 2 /Au 1.3</td> </tr> <tr> <td>Insulator</td> <td>PTFE</td> <td></td> </tr> <tr> <td>Body</td> <td>Stainless Steel</td> <td>Passivated</td> </tr> <tr> <td>Gasket</td> <td>Silicone Rubber</td> <td></td> </tr> </tbody> </table>	Dimension	mm	inches	A	16.7	0.657	B	15.5	0.598	C	3.15	0.125	ØD	7	0.29	E	9.32	0.366	F	12.02	0.473	G	Hex 8 / flats	Hes .315/Flats	Component	materials	Plating (µm)	Coupling Nut	Stainless steel	Passivated	Center contact	CuBe	Ni 2 /Au 1.3	Insulator	PTFE		Body	Stainless Steel	Passivated	Gasket	Silicone Rubber	
Dimension	mm	inches																																									
A	16.7	0.657																																									
B	15.5	0.598																																									
C	3.15	0.125																																									
ØD	7	0.29																																									
E	9.32	0.366																																									
F	12.02	0.473																																									
G	Hex 8 / flats	Hes .315/Flats																																									
Component	materials	Plating (µm)																																									
Coupling Nut	Stainless steel	Passivated																																									
Center contact	CuBe	Ni 2 /Au 1.3																																									
Insulator	PTFE																																										
Body	Stainless Steel	Passivated																																									
Gasket	Silicone Rubber																																										

2.1.2. SMA & SMA2.9 connector for SHF3MS cable

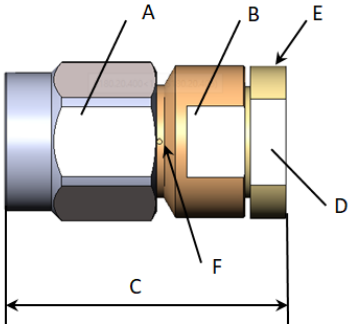
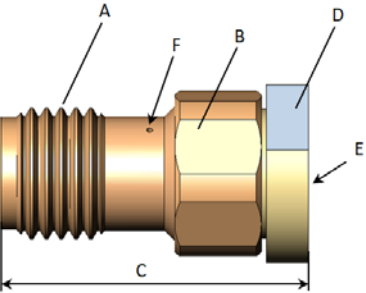
CONNECTOR REFERENCE	DESCRIPTION																																										
R125.063.141X	<p>Straight plug and Elbow plug : with venting hole</p>  <table border="1" data-bbox="885 555 1428 790"> <thead> <tr> <th>Dimension</th> <th>mm</th> <th>inches</th> </tr> </thead> <tbody> <tr> <td>A</td> <td>Hex 8 / flat</td> <td>Hex 0.315 / flat</td> </tr> <tr> <td>B / 2 flats</td> <td>7,50</td> <td>0,290</td> </tr> <tr> <td>C</td> <td>15,64</td> <td>0,615</td> </tr> <tr> <td>D / 2 flats</td> <td>7,00</td> <td>0,270</td> </tr> <tr> <td>ØE</td> <td>8,50</td> <td>0,334</td> </tr> <tr> <td>ØF (1 hole)</td> <td>0,30</td> <td>0,012</td> </tr> </tbody> </table> <p>F: venting hole</p> <table border="1" data-bbox="555 891 1308 1086"> <thead> <tr> <th>Component</th> <th>materials</th> <th>Plating (μm)</th> </tr> </thead> <tbody> <tr> <td>Coupling Nut</td> <td>Stainless steel</td> <td>Passivated</td> </tr> <tr> <td>Center contact</td> <td>Brass</td> <td>Ni 2 /Au 1.3</td> </tr> <tr> <td>Insulator</td> <td>PTFE / ULTEM</td> <td></td> </tr> <tr> <td>Body</td> <td>Stainless Steel</td> <td>Passivated</td> </tr> <tr> <td>Gasket</td> <td>Silicone Rubber</td> <td></td> </tr> </tbody> </table>	Dimension	mm	inches	A	Hex 8 / flat	Hex 0.315 / flat	B / 2 flats	7,50	0,290	C	15,64	0,615	D / 2 flats	7,00	0,270	ØE	8,50	0,334	ØF (1 hole)	0,30	0,012	Component	materials	Plating (μ m)	Coupling Nut	Stainless steel	Passivated	Center contact	Brass	Ni 2 /Au 1.3	Insulator	PTFE / ULTEM		Body	Stainless Steel	Passivated	Gasket	Silicone Rubber				
Dimension	mm	inches																																									
A	Hex 8 / flat	Hex 0.315 / flat																																									
B / 2 flats	7,50	0,290																																									
C	15,64	0,615																																									
D / 2 flats	7,00	0,270																																									
ØE	8,50	0,334																																									
ØF (1 hole)	0,30	0,012																																									
Component	materials	Plating (μ m)																																									
Coupling Nut	Stainless steel	Passivated																																									
Center contact	Brass	Ni 2 /Au 1.3																																									
Insulator	PTFE / ULTEM																																										
Body	Stainless Steel	Passivated																																									
Gasket	Silicone Rubber																																										
CONNECTOR REFERENCE	DESCRIPTION																																										
R125.193.101	<p>Right angle plug</p>  <table border="1" data-bbox="906 1303 1412 1563"> <thead> <tr> <th>Dimension</th> <th>mm</th> <th>inches</th> </tr> </thead> <tbody> <tr> <td>A</td> <td>16.7</td> <td>0.657</td> </tr> <tr> <td>B</td> <td>15.19</td> <td>0.598</td> </tr> <tr> <td>C</td> <td>3.15</td> <td>0.125</td> </tr> <tr> <td>ØD</td> <td>7</td> <td>0.29</td> </tr> <tr> <td>E</td> <td>9.32</td> <td>0.366</td> </tr> <tr> <td>F</td> <td>12.02</td> <td>0.473</td> </tr> <tr> <td>G</td> <td>Hex 8 / flats</td> <td>Hes .315/Flats</td> </tr> </tbody> </table> <table border="1" data-bbox="547 1608 1300 1803"> <thead> <tr> <th>Component</th> <th>materials</th> <th>Plating (μm)</th> </tr> </thead> <tbody> <tr> <td>Coupling Nut</td> <td>Stainless steel</td> <td>Passivated</td> </tr> <tr> <td>Center contact</td> <td>Brass</td> <td>Ni 2 /Au 1.3</td> </tr> <tr> <td>Insulator</td> <td>PTFE / ULTEM</td> <td></td> </tr> <tr> <td>Body</td> <td>Stainless Steel</td> <td>Passivated</td> </tr> <tr> <td>Gasket</td> <td>Silicone Rubber</td> <td></td> </tr> </tbody> </table>	Dimension	mm	inches	A	16.7	0.657	B	15.19	0.598	C	3.15	0.125	ØD	7	0.29	E	9.32	0.366	F	12.02	0.473	G	Hex 8 / flats	Hes .315/Flats	Component	materials	Plating (μ m)	Coupling Nut	Stainless steel	Passivated	Center contact	Brass	Ni 2 /Au 1.3	Insulator	PTFE / ULTEM		Body	Stainless Steel	Passivated	Gasket	Silicone Rubber	
Dimension	mm	inches																																									
A	16.7	0.657																																									
B	15.19	0.598																																									
C	3.15	0.125																																									
ØD	7	0.29																																									
E	9.32	0.366																																									
F	12.02	0.473																																									
G	Hex 8 / flats	Hes .315/Flats																																									
Component	materials	Plating (μ m)																																									
Coupling Nut	Stainless steel	Passivated																																									
Center contact	Brass	Ni 2 /Au 1.3																																									
Insulator	PTFE / ULTEM																																										
Body	Stainless Steel	Passivated																																									
Gasket	Silicone Rubber																																										

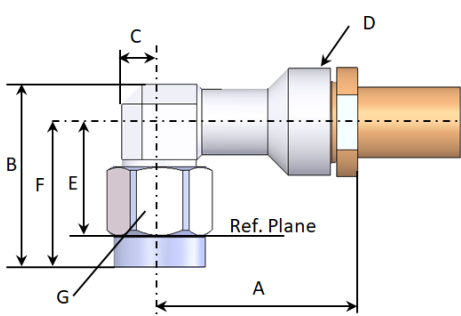
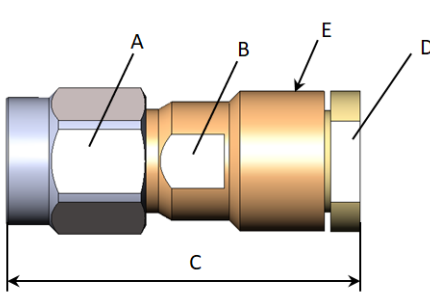
CONNECTOR REFERENCE	DESCRIPTION																																							
R127.801.101X	<p><u>Straight plug and Elbow plug SMA2.9 :</u></p>  <table border="1" data-bbox="922 515 1460 712"> <thead> <tr> <th>Dimension</th> <th>mm</th> <th>inches</th> </tr> </thead> <tbody> <tr> <td>A</td> <td>Hex 8 / flat</td> <td>Hex 0.315 / flat</td> </tr> <tr> <td>B / 2 flats</td> <td>6.40</td> <td>0.252</td> </tr> <tr> <td>C</td> <td>21.54</td> <td>0.848</td> </tr> <tr> <td>D / 2 flats</td> <td>5.00</td> <td>0.196</td> </tr> <tr> <td>ØE</td> <td>7.20</td> <td>0.283</td> </tr> </tbody> </table> <table border="1" data-bbox="466 806 1369 1070"> <thead> <tr> <th>Component</th> <th>Materials</th> <th>Plating (µm)</th> </tr> </thead> <tbody> <tr> <td>Coupling Nut</td> <td>Stainless steel</td> <td>Passivated</td> </tr> <tr> <td>Center contact</td> <td>Beryllium copper</td> <td></td> </tr> <tr> <td>Outer contact</td> <td>Brass</td> <td>Ni2 / Au 1,3</td> </tr> <tr> <td>Insulator</td> <td>ULTEM</td> <td></td> </tr> <tr> <td>Body</td> <td>Stainless steel</td> <td>Passivated</td> </tr> <tr> <td>Gasket</td> <td>Silicone rubber</td> <td></td> </tr> </tbody> </table>	Dimension	mm	inches	A	Hex 8 / flat	Hex 0.315 / flat	B / 2 flats	6.40	0.252	C	21.54	0.848	D / 2 flats	5.00	0.196	ØE	7.20	0.283	Component	Materials	Plating (µm)	Coupling Nut	Stainless steel	Passivated	Center contact	Beryllium copper		Outer contact	Brass	Ni2 / Au 1,3	Insulator	ULTEM		Body	Stainless steel	Passivated	Gasket	Silicone rubber	
Dimension	mm	inches																																						
A	Hex 8 / flat	Hex 0.315 / flat																																						
B / 2 flats	6.40	0.252																																						
C	21.54	0.848																																						
D / 2 flats	5.00	0.196																																						
ØE	7.20	0.283																																						
Component	Materials	Plating (µm)																																						
Coupling Nut	Stainless steel	Passivated																																						
Center contact	Beryllium copper																																							
Outer contact	Brass	Ni2 / Au 1,3																																						
Insulator	ULTEM																																							
Body	Stainless steel	Passivated																																						
Gasket	Silicone rubber																																							

2.1.3. SMA & SMA2.9 connector for SHF4.8MS cable

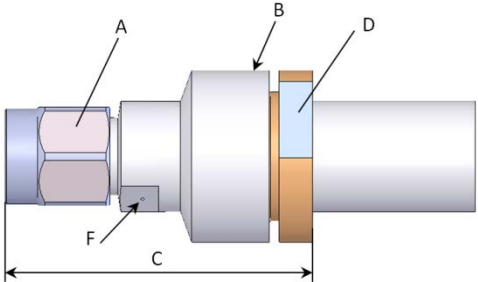
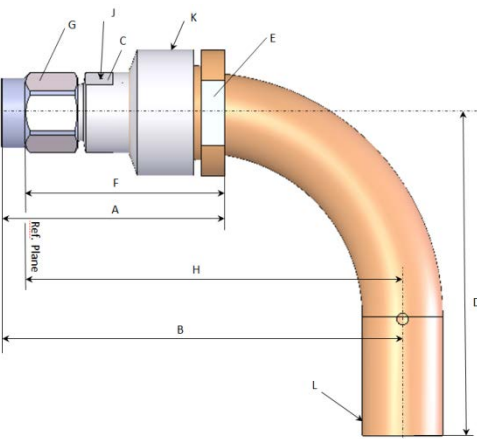
CONNECTOR REFERENCE	DESCRIPTION																																										
R125.065.329X	<p>Straight plug and Elbow plug : with venting hole</p>  <table border="1" data-bbox="879 548 1417 779"> <thead> <tr> <th>Dimension</th> <th>mm</th> <th>inches</th> </tr> </thead> <tbody> <tr> <td>A</td> <td>Hex 8 / flat</td> <td>Hex 0.315 / flat</td> </tr> <tr> <td>B / 2 flats</td> <td>Hex 7.5 / Flat</td> <td>Hex 0.29 / flat</td> </tr> <tr> <td>C</td> <td>15.52</td> <td>0.610</td> </tr> <tr> <td>D / 2 flats</td> <td>7.00</td> <td>0.270</td> </tr> <tr> <td>ØE</td> <td>8.50</td> <td>0.334</td> </tr> <tr> <td>ØF (1 hole)</td> <td>0.30</td> <td>0.012</td> </tr> </tbody> </table> <p>F: venting hole</p> <table border="1" data-bbox="469 869 1412 1124"> <thead> <tr> <th>Component</th> <th>Materials</th> <th>Plating (µm)</th> </tr> </thead> <tbody> <tr> <td>Coupling Nut</td> <td>Aluminium</td> <td>Anodic oxydation</td> </tr> <tr> <td>Center contact</td> <td>Brass</td> <td>Cu 2.5/ Au 2.5</td> </tr> <tr> <td>Solder sleeve</td> <td>Beryllium copper</td> <td>Ag 5</td> </tr> <tr> <td>Insulator</td> <td>PTFE / ULTEM</td> <td></td> </tr> <tr> <td>Body</td> <td>Beryllium copper</td> <td>Cu 2.5/ Au 2.5</td> </tr> <tr> <td>Gasket</td> <td>Silicone rubber</td> <td></td> </tr> </tbody> </table>	Dimension	mm	inches	A	Hex 8 / flat	Hex 0.315 / flat	B / 2 flats	Hex 7.5 / Flat	Hex 0.29 / flat	C	15.52	0.610	D / 2 flats	7.00	0.270	ØE	8.50	0.334	ØF (1 hole)	0.30	0.012	Component	Materials	Plating (µm)	Coupling Nut	Aluminium	Anodic oxydation	Center contact	Brass	Cu 2.5/ Au 2.5	Solder sleeve	Beryllium copper	Ag 5	Insulator	PTFE / ULTEM		Body	Beryllium copper	Cu 2.5/ Au 2.5	Gasket	Silicone rubber	
Dimension	mm	inches																																									
A	Hex 8 / flat	Hex 0.315 / flat																																									
B / 2 flats	Hex 7.5 / Flat	Hex 0.29 / flat																																									
C	15.52	0.610																																									
D / 2 flats	7.00	0.270																																									
ØE	8.50	0.334																																									
ØF (1 hole)	0.30	0.012																																									
Component	Materials	Plating (µm)																																									
Coupling Nut	Aluminium	Anodic oxydation																																									
Center contact	Brass	Cu 2.5/ Au 2.5																																									
Solder sleeve	Beryllium copper	Ag 5																																									
Insulator	PTFE / ULTEM																																										
Body	Beryllium copper	Cu 2.5/ Au 2.5																																									
Gasket	Silicone rubber																																										
R127.801.401X	<p>Straight plug and Elbow plug SMA2.9 :</p>  <table border="1" data-bbox="879 1384 1417 1585"> <thead> <tr> <th>Dimension</th> <th>mm</th> <th>inches</th> </tr> </thead> <tbody> <tr> <td>A</td> <td>Hex 8 / flat</td> <td>Hex 0.315 / flat</td> </tr> <tr> <td>B / 2 flats</td> <td>6.40</td> <td>0.252</td> </tr> <tr> <td>C</td> <td>21.60</td> <td>0.850</td> </tr> <tr> <td>D / 4 flats</td> <td>7.00</td> <td>0.280</td> </tr> <tr> <td>ØE</td> <td>8.50</td> <td>0.330</td> </tr> </tbody> </table> <table border="1" data-bbox="451 1659 1348 1921"> <thead> <tr> <th>Component</th> <th>Materials</th> <th>Plating (µm)</th> </tr> </thead> <tbody> <tr> <td>Coupling Nut</td> <td>Stainless steel</td> <td>Passivated</td> </tr> <tr> <td>Center contact</td> <td>Beryllium copper</td> <td></td> </tr> <tr> <td>Outer contact</td> <td>Brass</td> <td>Ni2 / Au 1,3</td> </tr> <tr> <td>Insulator</td> <td>ULTEM</td> <td></td> </tr> <tr> <td>Body</td> <td>Stainless steel</td> <td>Passivated</td> </tr> <tr> <td>Gasket</td> <td>Silicone rubber</td> <td></td> </tr> </tbody> </table>	Dimension	mm	inches	A	Hex 8 / flat	Hex 0.315 / flat	B / 2 flats	6.40	0.252	C	21.60	0.850	D / 4 flats	7.00	0.280	ØE	8.50	0.330	Component	Materials	Plating (µm)	Coupling Nut	Stainless steel	Passivated	Center contact	Beryllium copper		Outer contact	Brass	Ni2 / Au 1,3	Insulator	ULTEM		Body	Stainless steel	Passivated	Gasket	Silicone rubber				
Dimension	mm	inches																																									
A	Hex 8 / flat	Hex 0.315 / flat																																									
B / 2 flats	6.40	0.252																																									
C	21.60	0.850																																									
D / 4 flats	7.00	0.280																																									
ØE	8.50	0.330																																									
Component	Materials	Plating (µm)																																									
Coupling Nut	Stainless steel	Passivated																																									
Center contact	Beryllium copper																																										
Outer contact	Brass	Ni2 / Au 1,3																																									
Insulator	ULTEM																																										
Body	Stainless steel	Passivated																																									
Gasket	Silicone rubber																																										

2.1.4. SMA & SMA2.9 connector for SHF5MS cable

CONNECTOR REFERENCE	DESCRIPTION																																							
R125.065.141 X	<p><u>Straight plug and Elbow plug</u> : with venting hole</p>  <table border="1" style="margin-left: auto; margin-right: auto;"> <thead> <tr> <th>Dimension</th> <th>mm</th> <th>inches</th> </tr> </thead> <tbody> <tr> <td>A</td> <td>Hex 8 / flat</td> <td>Hex 0.315 / flat</td> </tr> <tr> <td>B / 2 flats</td> <td>7.50</td> <td>0.290</td> </tr> <tr> <td>C</td> <td>15.64</td> <td>0.615</td> </tr> <tr> <td>D / 2 flats</td> <td>7.00</td> <td>0.270</td> </tr> <tr> <td>ØE</td> <td>8.50</td> <td>0.334</td> </tr> <tr> <td>ØF (1 hole)</td> <td>0.30</td> <td>0.012</td> </tr> </tbody> </table> <p style="text-align: center;">F: venting hole</p> <table border="1" style="margin-left: auto; margin-right: auto;"> <thead> <tr> <th>Component</th> <th>materials</th> <th>Plating (μm)</th> </tr> </thead> <tbody> <tr> <td>Coupling Nut</td> <td>Stainless steel</td> <td>Passivated</td> </tr> <tr> <td>Center contact</td> <td>Brass</td> <td>Ni 2 / Au 1.3</td> </tr> <tr> <td>Insulator</td> <td>PTFE / ULTEM</td> <td></td> </tr> <tr> <td>Body</td> <td>Stainless Steel</td> <td>Passivated</td> </tr> <tr> <td>Gasket</td> <td>Silicone Rubber</td> <td></td> </tr> </tbody> </table>	Dimension	mm	inches	A	Hex 8 / flat	Hex 0.315 / flat	B / 2 flats	7.50	0.290	C	15.64	0.615	D / 2 flats	7.00	0.270	ØE	8.50	0.334	ØF (1 hole)	0.30	0.012	Component	materials	Plating (μ m)	Coupling Nut	Stainless steel	Passivated	Center contact	Brass	Ni 2 / Au 1.3	Insulator	PTFE / ULTEM		Body	Stainless Steel	Passivated	Gasket	Silicone Rubber	
Dimension	mm	inches																																						
A	Hex 8 / flat	Hex 0.315 / flat																																						
B / 2 flats	7.50	0.290																																						
C	15.64	0.615																																						
D / 2 flats	7.00	0.270																																						
ØE	8.50	0.334																																						
ØF (1 hole)	0.30	0.012																																						
Component	materials	Plating (μ m)																																						
Coupling Nut	Stainless steel	Passivated																																						
Center contact	Brass	Ni 2 / Au 1.3																																						
Insulator	PTFE / ULTEM																																							
Body	Stainless Steel	Passivated																																						
Gasket	Silicone Rubber																																							
R125.240.201 X	<p><u>Straight jack</u> : with venting hole</p>  <table border="1" style="margin-left: auto; margin-right: auto;"> <thead> <tr> <th>Dimension</th> <th>mm</th> <th>inches</th> </tr> </thead> <tbody> <tr> <td>A</td> <td>Thread 1/4 36 UNS-2A</td> <td></td> </tr> <tr> <td>B</td> <td>Hex 7.5 / flat</td> <td>Hex 0.3 / flat</td> </tr> <tr> <td>C</td> <td>14.80</td> <td>0.580</td> </tr> <tr> <td>D / 2 flats</td> <td>7.00</td> <td>0.270</td> </tr> <tr> <td>ØE</td> <td>8.50</td> <td>0.334</td> </tr> <tr> <td>ØF (1 hole)</td> <td>0.30</td> <td>0.012</td> </tr> </tbody> </table> <p style="text-align: center;">F: venting hole</p> <table border="1" style="margin-left: auto; margin-right: auto;"> <thead> <tr> <th>Component</th> <th>Materials</th> <th>Plating (μm)</th> </tr> </thead> <tbody> <tr> <td>Body</td> <td>Stainless steel</td> <td>Passivated</td> </tr> <tr> <td>Center contact</td> <td>Beryllium copper</td> <td>Ni2 / Au 1,3</td> </tr> <tr> <td>Solder sleeve</td> <td>Beryllium copper</td> <td>Ag 5</td> </tr> <tr> <td>Insulator</td> <td>PTFE</td> <td></td> </tr> </tbody> </table>	Dimension	mm	inches	A	Thread 1/4 36 UNS-2A		B	Hex 7.5 / flat	Hex 0.3 / flat	C	14.80	0.580	D / 2 flats	7.00	0.270	ØE	8.50	0.334	ØF (1 hole)	0.30	0.012	Component	Materials	Plating (μ m)	Body	Stainless steel	Passivated	Center contact	Beryllium copper	Ni2 / Au 1,3	Solder sleeve	Beryllium copper	Ag 5	Insulator	PTFE				
Dimension	mm	inches																																						
A	Thread 1/4 36 UNS-2A																																							
B	Hex 7.5 / flat	Hex 0.3 / flat																																						
C	14.80	0.580																																						
D / 2 flats	7.00	0.270																																						
ØE	8.50	0.334																																						
ØF (1 hole)	0.30	0.012																																						
Component	Materials	Plating (μ m)																																						
Body	Stainless steel	Passivated																																						
Center contact	Beryllium copper	Ni2 / Au 1,3																																						
Solder sleeve	Beryllium copper	Ag 5																																						
Insulator	PTFE																																							

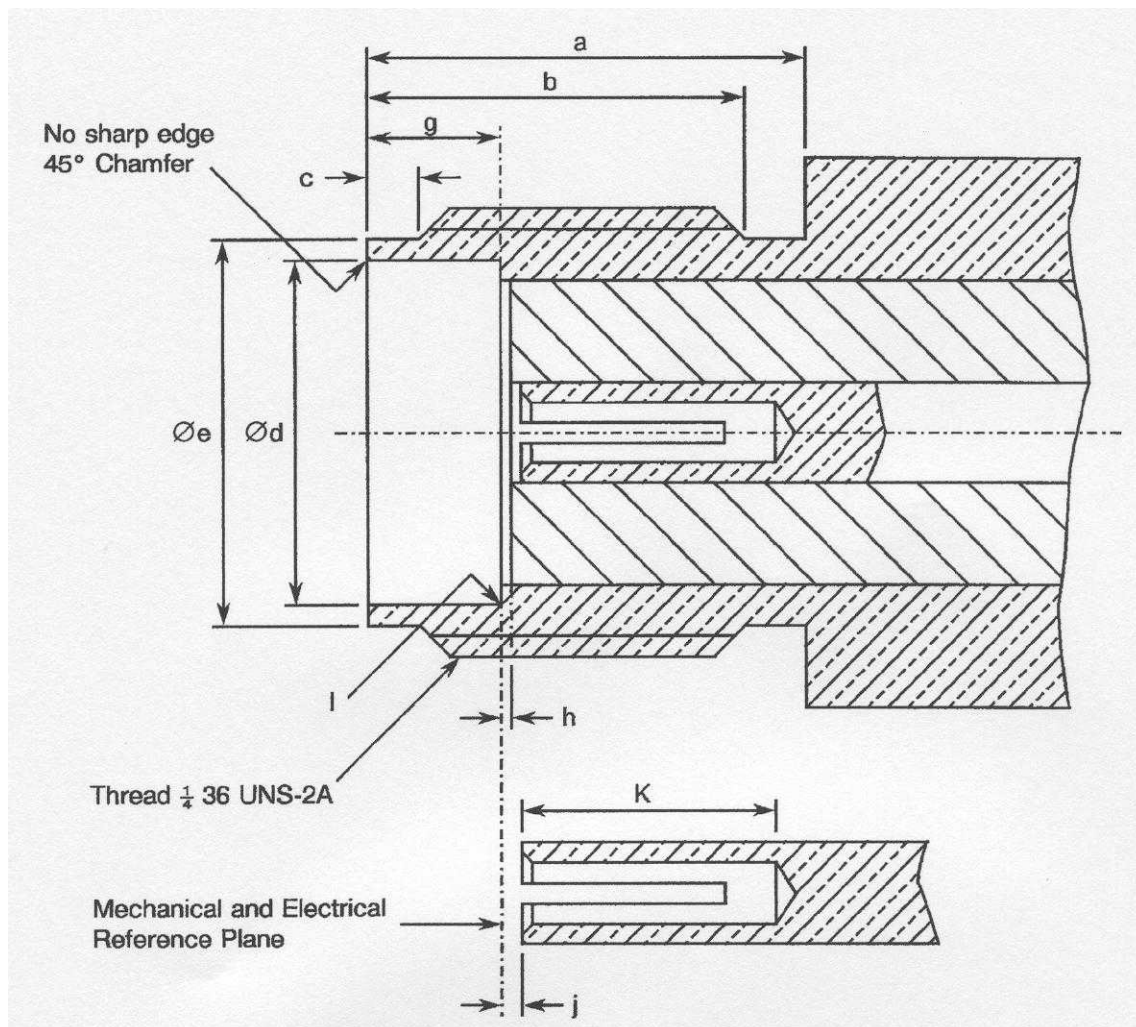
CONNECTOR REFERENCE	DESCRIPTION																																										
R125.195.101	<p>Right angle plug :</p>  <table border="1" style="margin-left: auto; margin-right: auto;"> <thead> <tr> <th>Dimension</th> <th>mm</th> <th>inches</th> </tr> </thead> <tbody> <tr> <td>A</td> <td>16.7</td> <td>0.657</td> </tr> <tr> <td>B</td> <td>15.19</td> <td>0.598</td> </tr> <tr> <td>C</td> <td>3.15</td> <td>0.125</td> </tr> <tr> <td>∅ D</td> <td>7</td> <td>0.29</td> </tr> <tr> <td>E</td> <td>9.32</td> <td>0.366</td> </tr> <tr> <td>F</td> <td>12.02</td> <td>0.473</td> </tr> <tr> <td>G</td> <td>Hex 8 / flats</td> <td>Hes .315/Flats</td> </tr> </tbody> </table> <table border="1" style="margin-left: auto; margin-right: auto; margin-top: 20px;"> <thead> <tr> <th>Component</th> <th>materials</th> <th>Plating (μm)</th> </tr> </thead> <tbody> <tr> <td>Coupling Nut</td> <td>Stainless steel</td> <td>Passivated</td> </tr> <tr> <td>Center contact</td> <td>Brass</td> <td>Ni 2 / Au 1.3</td> </tr> <tr> <td>Insulator</td> <td>PTFE / ULTEM</td> <td></td> </tr> <tr> <td>Body</td> <td>Stainless Steel</td> <td>Passivated</td> </tr> <tr> <td>Gasket</td> <td>Silicone Rubber</td> <td></td> </tr> </tbody> </table>	Dimension	mm	inches	A	16.7	0.657	B	15.19	0.598	C	3.15	0.125	∅ D	7	0.29	E	9.32	0.366	F	12.02	0.473	G	Hex 8 / flats	Hes .315/Flats	Component	materials	Plating (μ m)	Coupling Nut	Stainless steel	Passivated	Center contact	Brass	Ni 2 / Au 1.3	Insulator	PTFE / ULTEM		Body	Stainless Steel	Passivated	Gasket	Silicone Rubber	
Dimension	mm	inches																																									
A	16.7	0.657																																									
B	15.19	0.598																																									
C	3.15	0.125																																									
∅ D	7	0.29																																									
E	9.32	0.366																																									
F	12.02	0.473																																									
G	Hex 8 / flats	Hes .315/Flats																																									
Component	materials	Plating (μ m)																																									
Coupling Nut	Stainless steel	Passivated																																									
Center contact	Brass	Ni 2 / Au 1.3																																									
Insulator	PTFE / ULTEM																																										
Body	Stainless Steel	Passivated																																									
Gasket	Silicone Rubber																																										
R127.801.201X	<p>Straight plug and Elbow plug SMA2.9 :</p>  <table border="1" style="margin-left: auto; margin-right: auto;"> <thead> <tr> <th>Dimension</th> <th>mm</th> <th>inches</th> </tr> </thead> <tbody> <tr> <td>A</td> <td>Hex 8 / flat</td> <td>Hex 0.315 / flat</td> </tr> <tr> <td>B / 2 flats</td> <td>6.40</td> <td>0.252</td> </tr> <tr> <td>C</td> <td>21.54</td> <td>0.848</td> </tr> <tr> <td>D / 2 flats</td> <td>7.00</td> <td>0.275</td> </tr> <tr> <td>∅ E</td> <td>8.50</td> <td>0.335</td> </tr> </tbody> </table> <table border="1" style="margin-left: auto; margin-right: auto; margin-top: 20px;"> <thead> <tr> <th>Component</th> <th>Materials</th> <th>Plating (μm)</th> </tr> </thead> <tbody> <tr> <td>Coupling Nut</td> <td>Stainless steel</td> <td>Passivated</td> </tr> <tr> <td>Center contact</td> <td>Beryllium copper Brass</td> <td>Ni2 / Au 1,3</td> </tr> <tr> <td>Outer contact</td> <td>Brass</td> <td>Ni2 / Au 1,3</td> </tr> <tr> <td>Insulator</td> <td>ULTEM</td> <td></td> </tr> <tr> <td>Body</td> <td>Stainless steel</td> <td>Passivated</td> </tr> <tr> <td>Gasket</td> <td>Silicone rubber</td> <td></td> </tr> </tbody> </table>	Dimension	mm	inches	A	Hex 8 / flat	Hex 0.315 / flat	B / 2 flats	6.40	0.252	C	21.54	0.848	D / 2 flats	7.00	0.275	∅ E	8.50	0.335	Component	Materials	Plating (μ m)	Coupling Nut	Stainless steel	Passivated	Center contact	Beryllium copper Brass	Ni2 / Au 1,3	Outer contact	Brass	Ni2 / Au 1,3	Insulator	ULTEM		Body	Stainless steel	Passivated	Gasket	Silicone rubber				
Dimension	mm	inches																																									
A	Hex 8 / flat	Hex 0.315 / flat																																									
B / 2 flats	6.40	0.252																																									
C	21.54	0.848																																									
D / 2 flats	7.00	0.275																																									
∅ E	8.50	0.335																																									
Component	Materials	Plating (μ m)																																									
Coupling Nut	Stainless steel	Passivated																																									
Center contact	Beryllium copper Brass	Ni2 / Au 1,3																																									
Outer contact	Brass	Ni2 / Au 1,3																																									
Insulator	ULTEM																																										
Body	Stainless steel	Passivated																																									
Gasket	Silicone rubber																																										

2.1.5 SMA connectors for SHF8MS cable with venting hole

CONNECTOR REFERENCE	DESCRIPTION																																																									
R125.068.021	<p>Straight plug : with venting hole</p>  <table border="1" data-bbox="938 526 1452 739"> <thead> <tr> <th>Dimension</th> <th>mm</th> <th>inches</th> </tr> </thead> <tbody> <tr> <td>A</td> <td>Hex 8 / flats</td> <td>Hex 0.315 / flats</td> </tr> <tr> <td>ØB</td> <td>14</td> <td>0.551</td> </tr> <tr> <td>C</td> <td>24.75</td> <td>0.974</td> </tr> <tr> <td>D / 2 flats</td> <td>12</td> <td>0.472</td> </tr> <tr> <td>E / 2 flats</td> <td>8</td> <td>0.315</td> </tr> <tr> <td>F (1 hole)</td> <td>0.45</td> <td>0.017</td> </tr> </tbody> </table> <p>F: venting hole</p> <table border="1" data-bbox="555 869 1305 1064"> <thead> <tr> <th>Component</th> <th>materials</th> <th>Plating (μm)</th> </tr> </thead> <tbody> <tr> <td>Coupling Nut</td> <td>Stainless steel</td> <td>Passivated</td> </tr> <tr> <td>Center contact</td> <td>Brass</td> <td>Ni 2 / Au 1.3</td> </tr> <tr> <td>Insulator</td> <td>PTFE</td> <td></td> </tr> <tr> <td>Body</td> <td>Stainless Steel</td> <td>Passivated</td> </tr> <tr> <td>Gasket</td> <td>Silicone Rubber</td> <td></td> </tr> </tbody> </table>	Dimension	mm	inches	A	Hex 8 / flats	Hex 0.315 / flats	ØB	14	0.551	C	24.75	0.974	D / 2 flats	12	0.472	E / 2 flats	8	0.315	F (1 hole)	0.45	0.017	Component	materials	Plating (μm)	Coupling Nut	Stainless steel	Passivated	Center contact	Brass	Ni 2 / Au 1.3	Insulator	PTFE		Body	Stainless Steel	Passivated	Gasket	Silicone Rubber																			
Dimension	mm	inches																																																								
A	Hex 8 / flats	Hex 0.315 / flats																																																								
ØB	14	0.551																																																								
C	24.75	0.974																																																								
D / 2 flats	12	0.472																																																								
E / 2 flats	8	0.315																																																								
F (1 hole)	0.45	0.017																																																								
Component	materials	Plating (μm)																																																								
Coupling Nut	Stainless steel	Passivated																																																								
Center contact	Brass	Ni 2 / Au 1.3																																																								
Insulator	PTFE																																																									
Body	Stainless Steel	Passivated																																																								
Gasket	Silicone Rubber																																																									
R125.199.123	<p>Elbow plug : with venting hole</p>  <table border="1" data-bbox="917 1288 1468 1680"> <thead> <tr> <th>Dimension</th> <th>mm</th> <th>inches</th> </tr> </thead> <tbody> <tr> <td>A</td> <td>24.49</td> <td>0.964</td> </tr> <tr> <td>B</td> <td>42.19</td> <td>1.661</td> </tr> <tr> <td>C / 2 flats</td> <td>8</td> <td>0.315</td> </tr> <tr> <td>D</td> <td>36</td> <td>1.417</td> </tr> <tr> <td>E / 2 flats</td> <td>12</td> <td>0.472</td> </tr> <tr> <td>F</td> <td>21.75</td> <td>0.856</td> </tr> <tr> <td>G</td> <td>Hex 8 / flats</td> <td>Hex 0.315 / flats</td> </tr> <tr> <td>H</td> <td>39.45</td> <td>1.553</td> </tr> <tr> <td>J (1 hole)</td> <td>0.45</td> <td>0.017</td> </tr> <tr> <td>ØK</td> <td>14</td> <td>0.551</td> </tr> <tr> <td>ØL</td> <td>9</td> <td>0.354</td> </tr> </tbody> </table> <p>J: venting hole</p> <table border="1" data-bbox="497 1792 1248 2016"> <thead> <tr> <th>Component</th> <th>materials</th> <th>Plating (μm)</th> </tr> </thead> <tbody> <tr> <td>Coupling Nut</td> <td>Stainless steel</td> <td>Passivated</td> </tr> <tr> <td>Center contact</td> <td>Brass</td> <td>Ni 2 / Au 1.3</td> </tr> <tr> <td>Insulator</td> <td>PTFE</td> <td></td> </tr> <tr> <td>Body</td> <td>Stainless Steel</td> <td>Passivated</td> </tr> <tr> <td>Gasket</td> <td>Silicone Rubber</td> <td></td> </tr> <tr> <td>Ferrule</td> <td>Brass</td> <td>Ni 2 / Au 0.5</td> </tr> </tbody> </table>	Dimension	mm	inches	A	24.49	0.964	B	42.19	1.661	C / 2 flats	8	0.315	D	36	1.417	E / 2 flats	12	0.472	F	21.75	0.856	G	Hex 8 / flats	Hex 0.315 / flats	H	39.45	1.553	J (1 hole)	0.45	0.017	ØK	14	0.551	ØL	9	0.354	Component	materials	Plating (μm)	Coupling Nut	Stainless steel	Passivated	Center contact	Brass	Ni 2 / Au 1.3	Insulator	PTFE		Body	Stainless Steel	Passivated	Gasket	Silicone Rubber		Ferrule	Brass	Ni 2 / Au 0.5
Dimension	mm	inches																																																								
A	24.49	0.964																																																								
B	42.19	1.661																																																								
C / 2 flats	8	0.315																																																								
D	36	1.417																																																								
E / 2 flats	12	0.472																																																								
F	21.75	0.856																																																								
G	Hex 8 / flats	Hex 0.315 / flats																																																								
H	39.45	1.553																																																								
J (1 hole)	0.45	0.017																																																								
ØK	14	0.551																																																								
ØL	9	0.354																																																								
Component	materials	Plating (μm)																																																								
Coupling Nut	Stainless steel	Passivated																																																								
Center contact	Brass	Ni 2 / Au 1.3																																																								
Insulator	PTFE																																																									
Body	Stainless Steel	Passivated																																																								
Gasket	Silicone Rubber																																																									
Ferrule	Brass	Ni 2 / Au 0.5																																																								

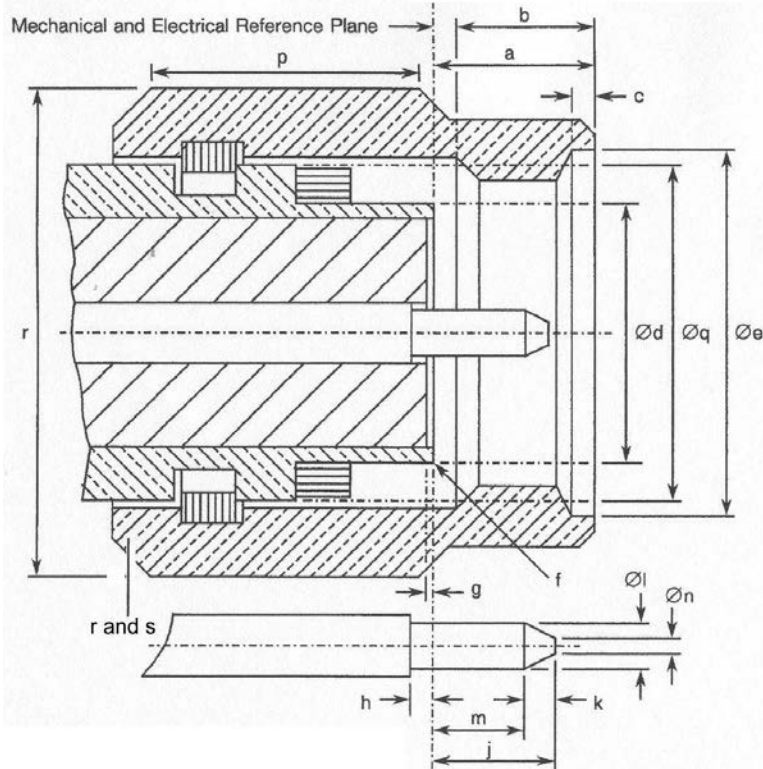
2.2. Interchangeability for SMA serie

2.2.1. SMA jack



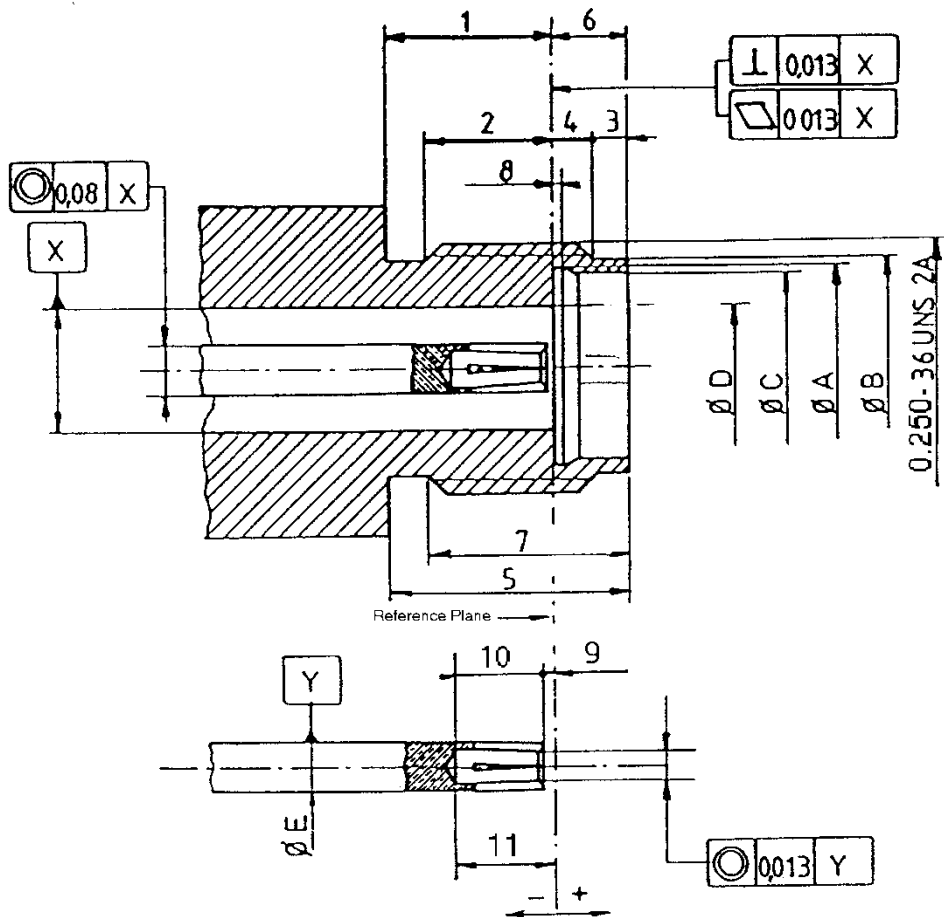
Symbol	Millimeters		notes
	min	max	
a	5.54		
b	4.32		
c	0.38	1.14	
Ød	4.597	4.67	
Øe	5.28	5.49	
g	1.88	1.98	
h	0.00	0.20	
J	0.00	0.25	
K	2.92		
l		0.04	radius

2.2.2. SMA plug



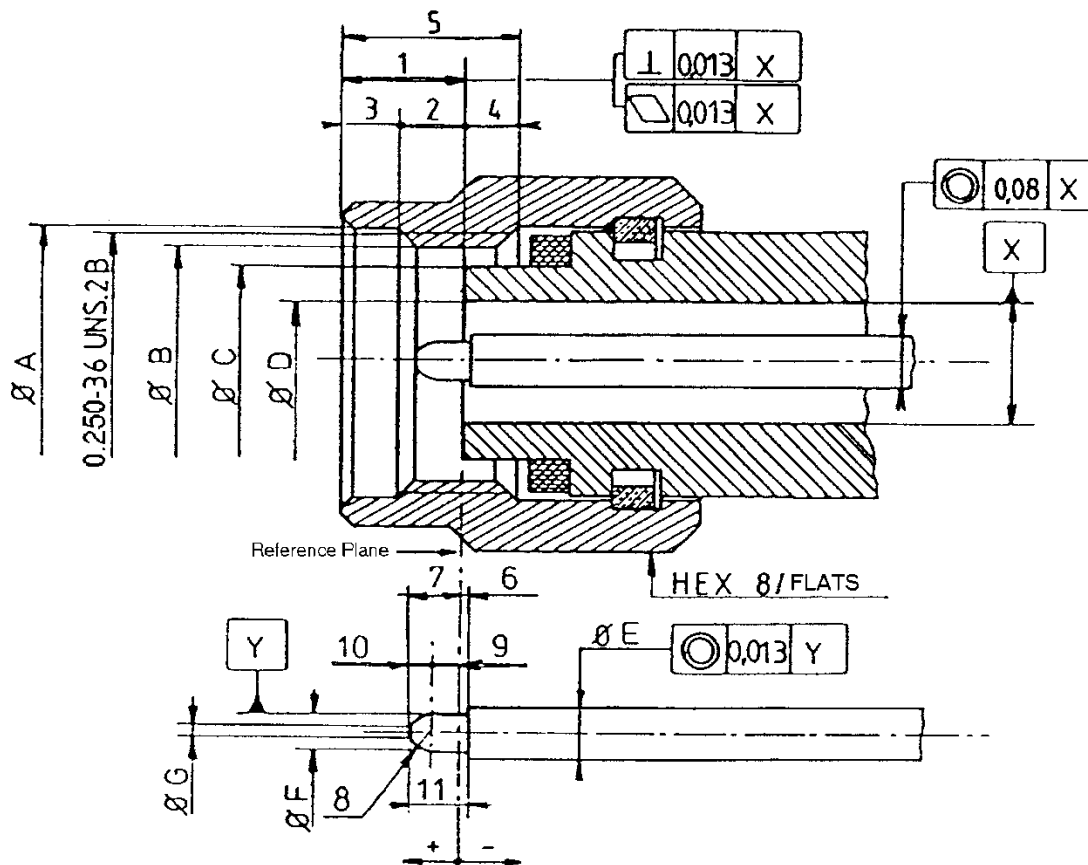
Symbol	Millimeters		notes
	min	max	
a		3.43	
b	2.54		
c	0.38	1.14	
Ød		4.592	
Øe	6.35		
f		008	Radius or 45° Chamfer
g	0.00	0.20	
h	0.00	0.25	
j		2.54	
k	0.38		
Øl	0.90	0.94	
m	1.27		
Øn		0.38	
p	3.17		
Øq			N/A
r	7.84	8.00	Hexagonal on flat
s		9.20	

2.2.3. SMA2.9 jack



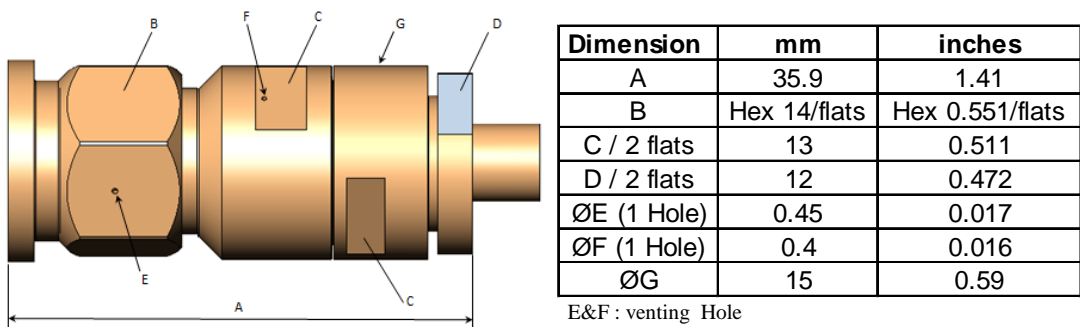
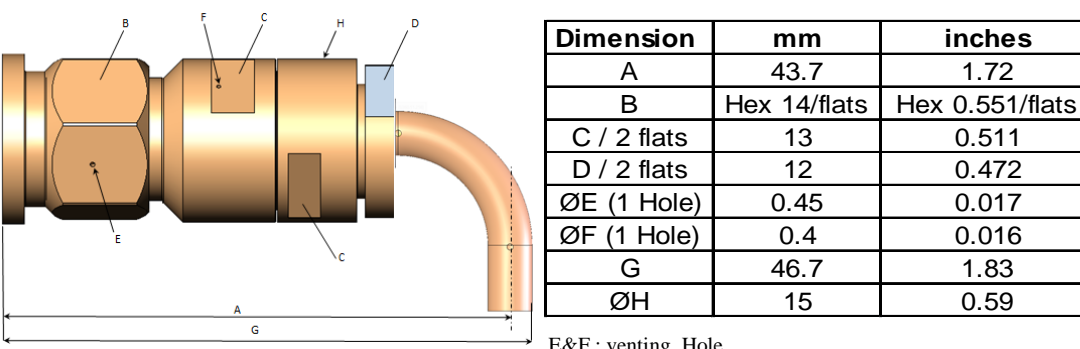
SYMBOL	MILLIMETERS		NOTES
	MIN.	MAX.	
1	3.82	4.32	
2	2.87	3.27	
3	0.65	0.95	
4	0.93	1.33	
5	5.80	6.20	
6	1.88	1.98	
7	4.85	5.15	
8	0.30	0.50	
9	0.00	0.08	
10	2.80	3.20	
11	2.80	3.28	
ØA	4.80	5.00	
ØB	5.30	5.35	
ØC	4.60	4.63	
ØD	2.905	2.945	
ØE	1.26	1.28	

2.2.4. SMA2.9 plug

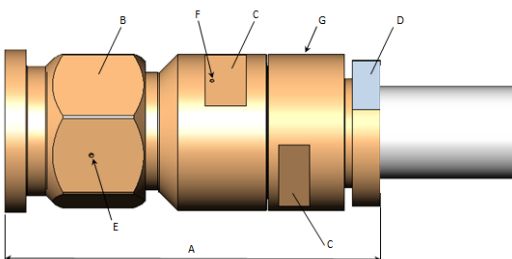
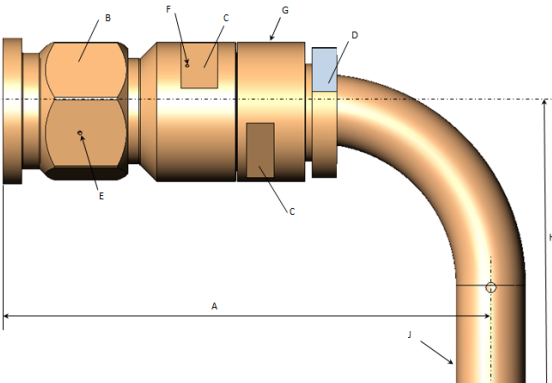


SYMBOL	MILLIMETERS		NOTES
	MIN.	MAX.	
1	2.63	3.25	Radius
2	1.58	2.20	
3	0.75	1.15	
4	0.85	1.47	
5	3.80	4.20	
6	0.00	0.08	
7	1.42	1.60	
8	R 0.80	R 0.90	
9	0.693	0.984	
10	0.616	0.727	
11	1.50	1.60	
$\varnothing A$	6.60	6.70	
$\varnothing B$	5.59	-	
$\varnothing C$	4.55	4.58	
$\varnothing D$	2.905	2.940	
$\varnothing E$	1.26	1.28	
$\varnothing F$	0.92	0.94	
$\varnothing G$	0.20	0.34	

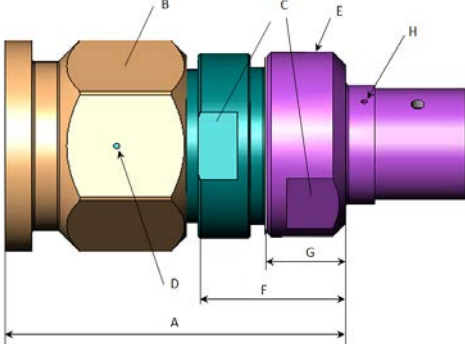
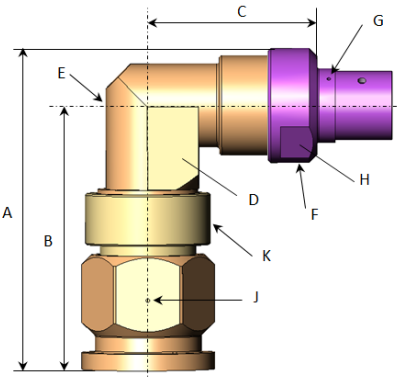
2.3. TNC connector Interface Control Drawing
2.3.1. TNC connectors for SHF5MS cable with venting hole

CONNECTOR REFERENCE	DESCRIPTION																																																
R143.065 100	<p>Straight plug : with venting hole</p>  <table border="1"> <thead> <tr> <th>Dimension</th> <th>mm</th> <th>inches</th> </tr> </thead> <tbody> <tr> <td>A</td> <td>35.9</td> <td>1.41</td> </tr> <tr> <td>B</td> <td>Hex 14/flats</td> <td>Hex 0.551/flats</td> </tr> <tr> <td>C / 2 flats</td> <td>13</td> <td>0.511</td> </tr> <tr> <td>D / 2 flats</td> <td>12</td> <td>0.472</td> </tr> <tr> <td>ØE (1 Hole)</td> <td>0.45</td> <td>0.017</td> </tr> <tr> <td>ØF (1 Hole)</td> <td>0.4</td> <td>0.016</td> </tr> <tr> <td>ØG</td> <td>15</td> <td>0.59</td> </tr> </tbody> </table> <p>E&F : venting Hole</p> <table border="1"> <thead> <tr> <th>Component</th> <th>materials</th> <th>Plating (μm)</th> </tr> </thead> <tbody> <tr> <td>Coupling Nut</td> <td>Stainless steel</td> <td>Passivated</td> </tr> <tr> <td>Center contact</td> <td>Brass</td> <td>Ni 2 /Au 1.3</td> </tr> <tr> <td>Insulator</td> <td>PTFE</td> <td></td> </tr> <tr> <td>Body</td> <td>Stainless Steel</td> <td>Passivated</td> </tr> <tr> <td>Gasket</td> <td>Silicone Rubber</td> <td></td> </tr> <tr> <td>Ferrule</td> <td>Brass</td> <td>Ni 2 / Au 0.5</td> </tr> </tbody> </table>	Dimension	mm	inches	A	35.9	1.41	B	Hex 14/flats	Hex 0.551/flats	C / 2 flats	13	0.511	D / 2 flats	12	0.472	ØE (1 Hole)	0.45	0.017	ØF (1 Hole)	0.4	0.016	ØG	15	0.59	Component	materials	Plating (μm)	Coupling Nut	Stainless steel	Passivated	Center contact	Brass	Ni 2 /Au 1.3	Insulator	PTFE		Body	Stainless Steel	Passivated	Gasket	Silicone Rubber		Ferrule	Brass	Ni 2 / Au 0.5			
Dimension	mm	inches																																															
A	35.9	1.41																																															
B	Hex 14/flats	Hex 0.551/flats																																															
C / 2 flats	13	0.511																																															
D / 2 flats	12	0.472																																															
ØE (1 Hole)	0.45	0.017																																															
ØF (1 Hole)	0.4	0.016																																															
ØG	15	0.59																																															
Component	materials	Plating (μm)																																															
Coupling Nut	Stainless steel	Passivated																																															
Center contact	Brass	Ni 2 /Au 1.3																																															
Insulator	PTFE																																																
Body	Stainless Steel	Passivated																																															
Gasket	Silicone Rubber																																																
Ferrule	Brass	Ni 2 / Au 0.5																																															
R143.195 100	<p>Elbow plug : with venting hole</p>  <table border="1"> <thead> <tr> <th>Dimension</th> <th>mm</th> <th>inches</th> </tr> </thead> <tbody> <tr> <td>A</td> <td>43.7</td> <td>1.72</td> </tr> <tr> <td>B</td> <td>Hex 14/flats</td> <td>Hex 0.551/flats</td> </tr> <tr> <td>C / 2 flats</td> <td>13</td> <td>0.511</td> </tr> <tr> <td>D / 2 flats</td> <td>12</td> <td>0.472</td> </tr> <tr> <td>ØE (1 Hole)</td> <td>0.45</td> <td>0.017</td> </tr> <tr> <td>ØF (1 Hole)</td> <td>0.4</td> <td>0.016</td> </tr> <tr> <td>G</td> <td>46.7</td> <td>1.83</td> </tr> <tr> <td>ØH</td> <td>15</td> <td>0.59</td> </tr> </tbody> </table> <p>E&F : venting Hole</p> <table border="1"> <thead> <tr> <th>Component</th> <th>materials</th> <th>Plating (μm)</th> </tr> </thead> <tbody> <tr> <td>Coupling Nut</td> <td>Stainless steel</td> <td>Passivated</td> </tr> <tr> <td>Center contact</td> <td>Brass</td> <td>Ni 2 /Au 1.3</td> </tr> <tr> <td>Insulator</td> <td>PTFE</td> <td></td> </tr> <tr> <td>Body</td> <td>Stainless Steel</td> <td>Passivated</td> </tr> <tr> <td>Gasket</td> <td>Silicone Rubber</td> <td></td> </tr> <tr> <td>Ferrule</td> <td>Brass</td> <td>Ni 2 / Au 0.5</td> </tr> </tbody> </table>	Dimension	mm	inches	A	43.7	1.72	B	Hex 14/flats	Hex 0.551/flats	C / 2 flats	13	0.511	D / 2 flats	12	0.472	ØE (1 Hole)	0.45	0.017	ØF (1 Hole)	0.4	0.016	G	46.7	1.83	ØH	15	0.59	Component	materials	Plating (μm)	Coupling Nut	Stainless steel	Passivated	Center contact	Brass	Ni 2 /Au 1.3	Insulator	PTFE		Body	Stainless Steel	Passivated	Gasket	Silicone Rubber		Ferrule	Brass	Ni 2 / Au 0.5
Dimension	mm	inches																																															
A	43.7	1.72																																															
B	Hex 14/flats	Hex 0.551/flats																																															
C / 2 flats	13	0.511																																															
D / 2 flats	12	0.472																																															
ØE (1 Hole)	0.45	0.017																																															
ØF (1 Hole)	0.4	0.016																																															
G	46.7	1.83																																															
ØH	15	0.59																																															
Component	materials	Plating (μm)																																															
Coupling Nut	Stainless steel	Passivated																																															
Center contact	Brass	Ni 2 /Au 1.3																																															
Insulator	PTFE																																																
Body	Stainless Steel	Passivated																																															
Gasket	Silicone Rubber																																																
Ferrule	Brass	Ni 2 / Au 0.5																																															

2.3.2. TNC connectors for SHF8MS cable with venting hole

CONNECTOR REFERENCE	DESCRIPTION																																																			
R143.068.120	<p>Straight plug : with venting hole</p>  <table border="1" style="margin-left: auto; margin-right: auto;"> <thead> <tr> <th>Dimension</th> <th>mm</th> <th>inches</th> </tr> </thead> <tbody> <tr> <td>A</td> <td>35.90</td> <td>1.410</td> </tr> <tr> <td>B</td> <td>Hex 14 / flat</td> <td>Hex 0.55 / flat</td> </tr> <tr> <td>C / 2 flats</td> <td>13</td> <td>0.511</td> </tr> <tr> <td>D / 2 flats</td> <td>12</td> <td>0.472</td> </tr> <tr> <td>ØE (1 hole)</td> <td>0.45</td> <td>0.017</td> </tr> <tr> <td>ØF (1 hole)</td> <td>0.4</td> <td>0.016</td> </tr> <tr> <td>ØG</td> <td>15</td> <td>0.59</td> </tr> </tbody> </table> <p style="text-align: right;">F&G: venting hole</p> <table border="1" style="margin-left: auto; margin-right: auto;"> <thead> <tr> <th>Component</th> <th>materials</th> <th>Plating (μ m)</th> </tr> </thead> <tbody> <tr> <td>Coupling Nut</td> <td>Stainless steel</td> <td>Passivated</td> </tr> <tr> <td>Center contact</td> <td>Brass</td> <td>Ni 2 / Au 1.3</td> </tr> <tr> <td>Insulator</td> <td>PTFE</td> <td></td> </tr> <tr> <td>Body</td> <td>Stainless Steel</td> <td>Passivated</td> </tr> <tr> <td>Gasket</td> <td>Silicone Rubber</td> <td></td> </tr> <tr> <td>Ferrule</td> <td>Brass</td> <td>Ni 2 / Au 0.5</td> </tr> </tbody> </table>	Dimension	mm	inches	A	35.90	1.410	B	Hex 14 / flat	Hex 0.55 / flat	C / 2 flats	13	0.511	D / 2 flats	12	0.472	ØE (1 hole)	0.45	0.017	ØF (1 hole)	0.4	0.016	ØG	15	0.59	Component	materials	Plating (μ m)	Coupling Nut	Stainless steel	Passivated	Center contact	Brass	Ni 2 / Au 1.3	Insulator	PTFE		Body	Stainless Steel	Passivated	Gasket	Silicone Rubber		Ferrule	Brass	Ni 2 / Au 0.5						
Dimension	mm	inches																																																		
A	35.90	1.410																																																		
B	Hex 14 / flat	Hex 0.55 / flat																																																		
C / 2 flats	13	0.511																																																		
D / 2 flats	12	0.472																																																		
ØE (1 hole)	0.45	0.017																																																		
ØF (1 hole)	0.4	0.016																																																		
ØG	15	0.59																																																		
Component	materials	Plating (μ m)																																																		
Coupling Nut	Stainless steel	Passivated																																																		
Center contact	Brass	Ni 2 / Au 1.3																																																		
Insulator	PTFE																																																			
Body	Stainless Steel	Passivated																																																		
Gasket	Silicone Rubber																																																			
Ferrule	Brass	Ni 2 / Au 0.5																																																		
R143.198.120	<p>Elbow plug : with venting hole</p>  <table border="1" style="margin-left: auto; margin-right: auto;"> <thead> <tr> <th>Dimension</th> <th>mm</th> <th>inches</th> </tr> </thead> <tbody> <tr> <td>A</td> <td>53.57</td> <td>2.109</td> </tr> <tr> <td>B</td> <td>Hex 14 / flat</td> <td>Hex 0.551 / flat</td> </tr> <tr> <td>C / 2 flats</td> <td>13</td> <td>0.512</td> </tr> <tr> <td>D / 2 flats</td> <td>12</td> <td>0.472</td> </tr> <tr> <td>ØE (1 hole)</td> <td>0.45</td> <td>0.017</td> </tr> <tr> <td>ØF (1 hole)</td> <td>0.4</td> <td>0.016</td> </tr> <tr> <td>G</td> <td>15</td> <td>0.59</td> </tr> <tr> <td>H</td> <td>36</td> <td>1.417</td> </tr> <tr> <td>ØJ</td> <td>9</td> <td>0.354</td> </tr> </tbody> </table> <p style="text-align: right;">E&F: venting hole</p> <table border="1" style="margin-left: auto; margin-right: auto;"> <thead> <tr> <th>Component</th> <th>materials</th> <th>Plating (μ m)</th> </tr> </thead> <tbody> <tr> <td>Coupling Nut</td> <td>Stainless steel</td> <td>Passivated</td> </tr> <tr> <td>Center contact</td> <td>Brass</td> <td>Ni 2 / Au 1.3</td> </tr> <tr> <td>Insulator</td> <td>PTFE</td> <td></td> </tr> <tr> <td>Body</td> <td>Stainless Steel</td> <td>Passivated</td> </tr> <tr> <td>Gasket</td> <td>Silicone Rubber</td> <td></td> </tr> <tr> <td>Ferrule</td> <td>Brass</td> <td>Ni 2 / Au 0.5</td> </tr> </tbody> </table>	Dimension	mm	inches	A	53.57	2.109	B	Hex 14 / flat	Hex 0.551 / flat	C / 2 flats	13	0.512	D / 2 flats	12	0.472	ØE (1 hole)	0.45	0.017	ØF (1 hole)	0.4	0.016	G	15	0.59	H	36	1.417	ØJ	9	0.354	Component	materials	Plating (μ m)	Coupling Nut	Stainless steel	Passivated	Center contact	Brass	Ni 2 / Au 1.3	Insulator	PTFE		Body	Stainless Steel	Passivated	Gasket	Silicone Rubber		Ferrule	Brass	Ni 2 / Au 0.5
Dimension	mm	inches																																																		
A	53.57	2.109																																																		
B	Hex 14 / flat	Hex 0.551 / flat																																																		
C / 2 flats	13	0.512																																																		
D / 2 flats	12	0.472																																																		
ØE (1 hole)	0.45	0.017																																																		
ØF (1 hole)	0.4	0.016																																																		
G	15	0.59																																																		
H	36	1.417																																																		
ØJ	9	0.354																																																		
Component	materials	Plating (μ m)																																																		
Coupling Nut	Stainless steel	Passivated																																																		
Center contact	Brass	Ni 2 / Au 1.3																																																		
Insulator	PTFE																																																			
Body	Stainless Steel	Passivated																																																		
Gasket	Silicone Rubber																																																			
Ferrule	Brass	Ni 2 / Au 0.5																																																		

2.3.3. TNC connectors SHF8MS cable - High power type with venting hole

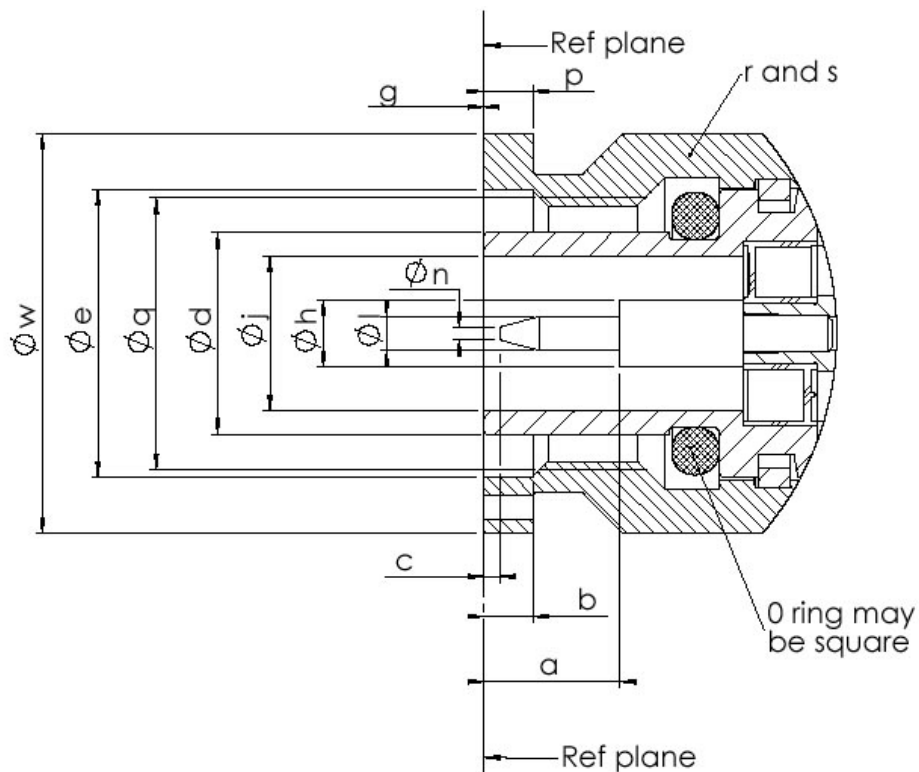
CONNECTOR REFERENCE	DESCRIPTION																																																						
R143.068.202	<p>Straight plug : with venting hole</p>  <table border="1" data-bbox="909 488 1455 779"> <thead> <tr> <th>Dimension</th> <th>mm</th> <th>inches</th> </tr> </thead> <tbody> <tr> <td>A</td> <td>27.85</td> <td>1.096</td> </tr> <tr> <td>Hex B</td> <td>14</td> <td>.551</td> </tr> <tr> <td>C / 2 flats</td> <td>13</td> <td>.512</td> </tr> <tr> <td>D (1 hole)</td> <td>0.45</td> <td>0.017</td> </tr> <tr> <td>E</td> <td>14</td> <td>0.551</td> </tr> <tr> <td>F</td> <td>11.1</td> <td>0.437</td> </tr> <tr> <td>G</td> <td>6</td> <td>0.236</td> </tr> <tr> <td>H (2 holes)</td> <td>0.45</td> <td>0.017</td> </tr> </tbody> </table> <p>D and H : Venting Holes</p> <table border="1" data-bbox="517 869 1350 1097"> <thead> <tr> <th>Component</th> <th>materials</th> <th>Plating (μ m)</th> </tr> </thead> <tbody> <tr> <td>Coupling Nut</td> <td>Stainless steel</td> <td>Passivated</td> </tr> <tr> <td>Center contact</td> <td>Brass</td> <td>Cu 0.5 / Au 2.5</td> </tr> <tr> <td>Insulator</td> <td>PTFE</td> <td></td> </tr> <tr> <td>Body</td> <td>CuBe</td> <td>Cu 0.5 / Au 1.3</td> </tr> <tr> <td>Gasket</td> <td>Silicone Rubber</td> <td></td> </tr> <tr> <td>Ferrule</td> <td>Brass</td> <td>Cu 0.5 / Ag 5 passivated</td> </tr> </tbody> </table>	Dimension	mm	inches	A	27.85	1.096	Hex B	14	.551	C / 2 flats	13	.512	D (1 hole)	0.45	0.017	E	14	0.551	F	11.1	0.437	G	6	0.236	H (2 holes)	0.45	0.017	Component	materials	Plating (μ m)	Coupling Nut	Stainless steel	Passivated	Center contact	Brass	Cu 0.5 / Au 2.5	Insulator	PTFE		Body	CuBe	Cu 0.5 / Au 1.3	Gasket	Silicone Rubber		Ferrule	Brass	Cu 0.5 / Ag 5 passivated						
Dimension	mm	inches																																																					
A	27.85	1.096																																																					
Hex B	14	.551																																																					
C / 2 flats	13	.512																																																					
D (1 hole)	0.45	0.017																																																					
E	14	0.551																																																					
F	11.1	0.437																																																					
G	6	0.236																																																					
H (2 holes)	0.45	0.017																																																					
Component	materials	Plating (μ m)																																																					
Coupling Nut	Stainless steel	Passivated																																																					
Center contact	Brass	Cu 0.5 / Au 2.5																																																					
Insulator	PTFE																																																						
Body	CuBe	Cu 0.5 / Au 1.3																																																					
Gasket	Silicone Rubber																																																						
Ferrule	Brass	Cu 0.5 / Ag 5 passivated																																																					
R143.198.202	<p>Right angle plug : with venting hole</p>  <table border="1" data-bbox="871 1227 1417 1585"> <thead> <tr> <th>Dimension</th> <th>mm</th> <th>inches</th> </tr> </thead> <tbody> <tr> <td>A</td> <td>38.6</td> <td>1.52</td> </tr> <tr> <td>B</td> <td>31.6</td> <td>1.244</td> </tr> <tr> <td>C</td> <td>20.4</td> <td>0.803</td> </tr> <tr> <td>D / 2 flats</td> <td>10</td> <td>0.394</td> </tr> <tr> <td>E (1 Hole)</td> <td>0.45</td> <td>0.017</td> </tr> <tr> <td>F</td> <td>14</td> <td>0.551</td> </tr> <tr> <td>G (2 holes)</td> <td>0.45</td> <td>0.017</td> </tr> <tr> <td>H / 2 Flats</td> <td>13</td> <td>0.512</td> </tr> <tr> <td>J (1 hole)</td> <td>0.45</td> <td>0.017</td> </tr> <tr> <td>K</td> <td>15</td> <td>0.590</td> </tr> </tbody> </table> <p>E, G and J : Venting Holes</p> <table border="1" data-bbox="517 1668 1350 1892"> <thead> <tr> <th>Component</th> <th>materials</th> <th>Plating (μ m)</th> </tr> </thead> <tbody> <tr> <td>Coupling Nut</td> <td>Stainless steel</td> <td>Passivated</td> </tr> <tr> <td>Center contact</td> <td>Brass</td> <td>Cu 0.5 / Au 2.5</td> </tr> <tr> <td>Insulator</td> <td>PTFE</td> <td></td> </tr> <tr> <td>Body</td> <td>CuBe</td> <td>Cu 0.5 / Au 1.3</td> </tr> <tr> <td>Gasket</td> <td>Silicone Rubber</td> <td></td> </tr> <tr> <td>Ferrule</td> <td>Brass</td> <td>Cu 0.5 / Ag 5 passivated</td> </tr> </tbody> </table>	Dimension	mm	inches	A	38.6	1.52	B	31.6	1.244	C	20.4	0.803	D / 2 flats	10	0.394	E (1 Hole)	0.45	0.017	F	14	0.551	G (2 holes)	0.45	0.017	H / 2 Flats	13	0.512	J (1 hole)	0.45	0.017	K	15	0.590	Component	materials	Plating (μ m)	Coupling Nut	Stainless steel	Passivated	Center contact	Brass	Cu 0.5 / Au 2.5	Insulator	PTFE		Body	CuBe	Cu 0.5 / Au 1.3	Gasket	Silicone Rubber		Ferrule	Brass	Cu 0.5 / Ag 5 passivated
Dimension	mm	inches																																																					
A	38.6	1.52																																																					
B	31.6	1.244																																																					
C	20.4	0.803																																																					
D / 2 flats	10	0.394																																																					
E (1 Hole)	0.45	0.017																																																					
F	14	0.551																																																					
G (2 holes)	0.45	0.017																																																					
H / 2 Flats	13	0.512																																																					
J (1 hole)	0.45	0.017																																																					
K	15	0.590																																																					
Component	materials	Plating (μ m)																																																					
Coupling Nut	Stainless steel	Passivated																																																					
Center contact	Brass	Cu 0.5 / Au 2.5																																																					
Insulator	PTFE																																																						
Body	CuBe	Cu 0.5 / Au 1.3																																																					
Gasket	Silicone Rubber																																																						
Ferrule	Brass	Cu 0.5 / Ag 5 passivated																																																					

2.3.4. TNC connectors SHF8MS cable - Very High Power type with venting hole

See ESCC3408/001 specification for more details

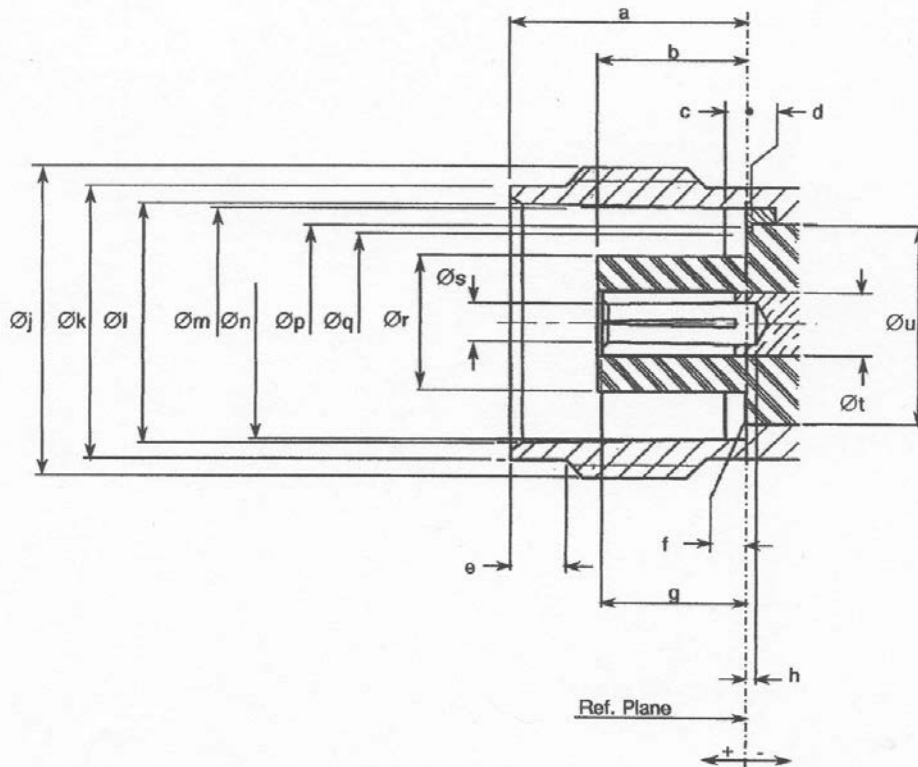
2.4. Interchangeability for TNC serie

2.4.1. TNC plug DC/ 18 GHz



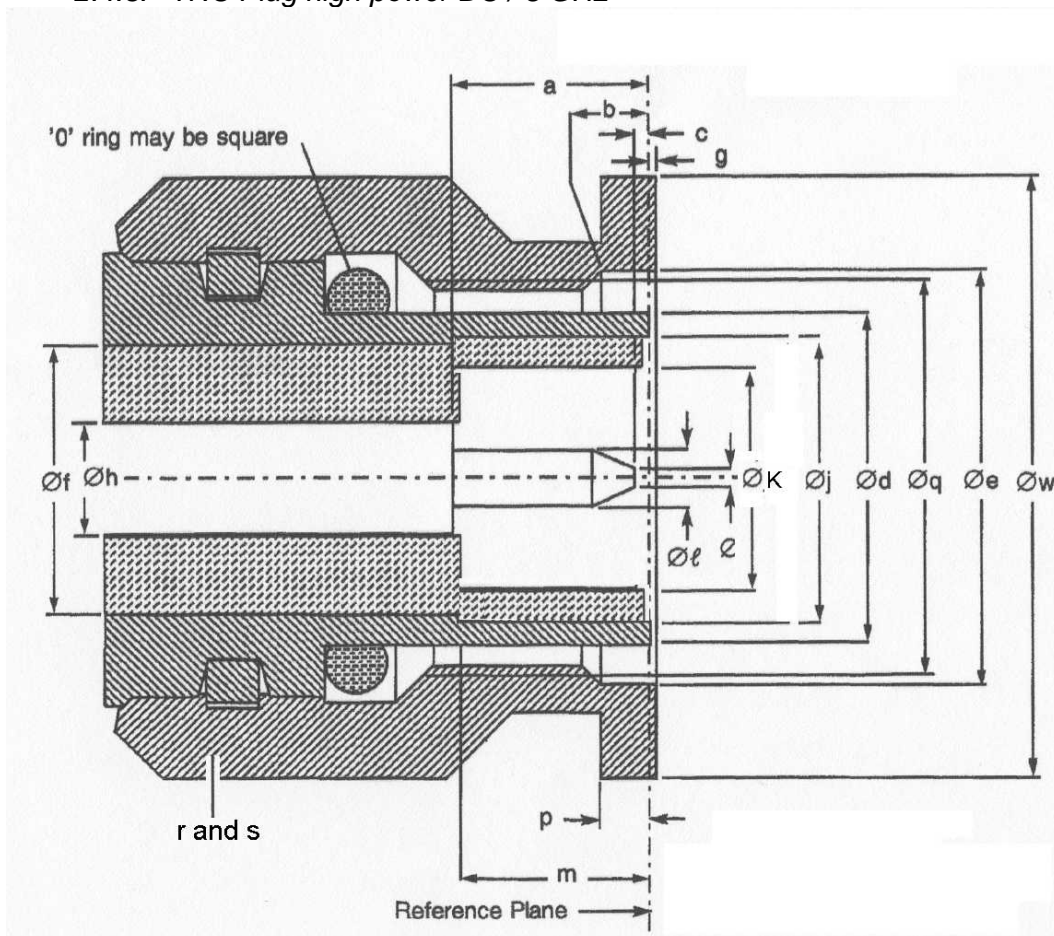
SYMBOL	MILLIMETERS		NOTES
	MIN.	MAX.	
a	5.35	5.50	
b	1.50	2.40	
c	0.35	0.90	
ϕ_d	8.03	8.09	
ϕ_e	11.40	11.60	
g	-0.30	+0.55	
ϕ_h	1.62	1.66	
ϕ_j	6.18	6.22	
ϕ_l	1.34	1.36	
m	5.28	5.38	
ϕ_n	0.35	0.65	
p	1.50	2.40	
ϕ_q	7/16 28	UNEF 2B	
r	-	14.00	hexagon
ϕ_s	-	16.00	
ϕ_w	-	16.00	

2.4.2. TNC 18 Jack DC / 18 GHz



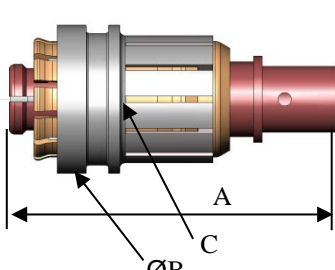
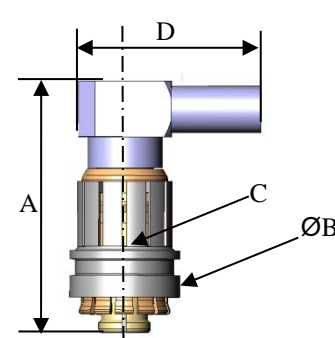
SYMBOL	MILLIMETERS		NOTES
	MIN.	MAX.	
a	8.36	8.46	
b	5.18	5.28	
c	0.48	1.02	
d	0.17	0.23	
e	1.80	2.20	
f	-0.1	+0.05	
g	4.98	5.23	
h	-0.72	+0.03	
Ø j	7/16 28	UNEF2A	
Øk	9.61	9.68	
Øl	9.32	9.46	
Øm	8.09	8.14	
Øn	8.10	8.15	
Øp	6.73	6.78	
Øq	6.05	6.15	
Ør	4.68	4.72	
Øs	1.43	1.47	
Øt	2.14	2.18	
Øu	6.975	7.025	

2.4.3. TNC Plug high power DC / 8 GHz

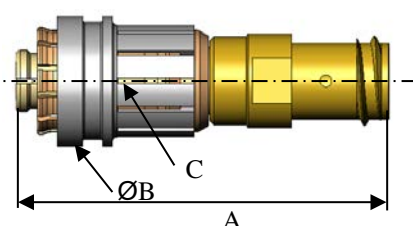
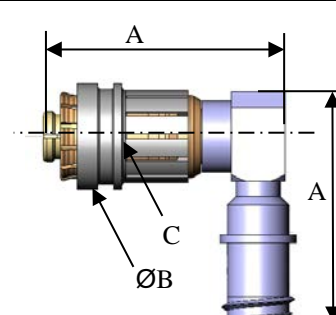


Symbol	Millimetres		notes
	min	max	
a	5.33	5.84	
b	1.50	2.40	
c	0.30	0.90	
Ød	8.03	8.09	
Øe	11.40	11.60	
f	5.28	5.32	
g	-0.3	+0.9	
Øh	2.16	2.20	
Øj	6.98	7.02	
Øk	4.88	4.92	
Øl	1.35	1.37	
m	5.28	5.79	
Øn	0.35	0.65	
p	1.50	2.40	
Øq	7/16.28	UNEF 2A	
r		14	
Øs , Øw		16	

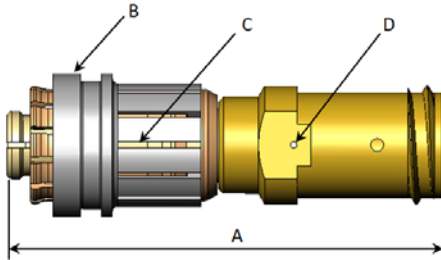
2.5. SMP Lock Connector Interface Control Drawing
2.5.1. SMP Lock connector for SHF2.4MS cable

CONNECTOR REFERENCE	DESCRIPTION																																													
R232.L80.000	<p><u>Straight and Elbow Female (with venting hole)</u></p>  <table border="1" style="margin-left: 20px;"> <thead> <tr> <th>Dimension</th> <th>mm</th> <th>inches</th> </tr> </thead> <tbody> <tr> <td>A</td> <td>14.6</td> <td>0.575</td> </tr> <tr> <td>ØB</td> <td>6.65</td> <td>0.262</td> </tr> <tr> <td>C (1 hole)</td> <td>0.3</td> <td>0.012</td> </tr> </tbody> </table> <p>C: venting hole</p> <table border="1" style="margin-left: 20px;"> <thead> <tr> <th>Component</th> <th>Materials</th> <th>Plating (µm)</th> </tr> </thead> <tbody> <tr> <td>Body</td> <td>Beryllium copper</td> <td>Ag3 and NPRG (NiP2Au0.2)</td> </tr> <tr> <td>Locking ground contact</td> <td>Beryllium copper</td> <td>NPGR (NiP2 Au0.2)</td> </tr> <tr> <td>Locking cap</td> <td>Beryllium copper</td> <td>Ni2</td> </tr> <tr> <td>Center Contact</td> <td>Beryllium copper</td> <td>Ag2 and Ni1.3 Au1.3</td> </tr> <tr> <td>Insulator (interface)</td> <td>PTFE</td> <td></td> </tr> <tr> <td>Insulator (inner)</td> <td>Peek 90G</td> <td></td> </tr> <tr> <td>EMI gasket</td> <td>Silicone Loaded Ag</td> <td></td> </tr> </tbody> </table>	Dimension	mm	inches	A	14.6	0.575	ØB	6.65	0.262	C (1 hole)	0.3	0.012	Component	Materials	Plating (µm)	Body	Beryllium copper	Ag3 and NPRG (NiP2Au0.2)	Locking ground contact	Beryllium copper	NPGR (NiP2 Au0.2)	Locking cap	Beryllium copper	Ni2	Center Contact	Beryllium copper	Ag2 and Ni1.3 Au1.3	Insulator (interface)	PTFE		Insulator (inner)	Peek 90G		EMI gasket	Silicone Loaded Ag										
Dimension	mm	inches																																												
A	14.6	0.575																																												
ØB	6.65	0.262																																												
C (1 hole)	0.3	0.012																																												
Component	Materials	Plating (µm)																																												
Body	Beryllium copper	Ag3 and NPRG (NiP2Au0.2)																																												
Locking ground contact	Beryllium copper	NPGR (NiP2 Au0.2)																																												
Locking cap	Beryllium copper	Ni2																																												
Center Contact	Beryllium copper	Ag2 and Ni1.3 Au1.3																																												
Insulator (interface)	PTFE																																													
Insulator (inner)	Peek 90G																																													
EMI gasket	Silicone Loaded Ag																																													
R232.L80.300	<p><u>Right angle Female(with venting hole)</u></p>  <table border="1" style="margin-left: 20px;"> <thead> <tr> <th>Dimension</th> <th>mm</th> <th>inches</th> </tr> </thead> <tbody> <tr> <td>A</td> <td>15.15</td> <td>0.596</td> </tr> <tr> <td>ØB</td> <td>6.65</td> <td>0.262</td> </tr> <tr> <td>C (1 hole)</td> <td>0.3</td> <td>0.012</td> </tr> <tr> <td>D</td> <td>11</td> <td>0.433</td> </tr> </tbody> </table> <p>C: venting hole</p> <table border="1" style="margin-left: 20px;"> <thead> <tr> <th>Component</th> <th>Materials</th> <th>Plating (µm)</th> </tr> </thead> <tbody> <tr> <td>Body (Front)</td> <td>Beryllium copper</td> <td>NPRG (NiP2Au0.2)</td> </tr> <tr> <td>Body (rear)</td> <td>Brass</td> <td>Ag3</td> </tr> <tr> <td>Locking ground contact</td> <td>Beryllium copper</td> <td>NPGR (NiP2 Au0.2)</td> </tr> <tr> <td>Locking cap</td> <td>Beryllium copper</td> <td>Ni2</td> </tr> <tr> <td>Center Contact (interface)</td> <td>Beryllium copper</td> <td>Ni1.3 Au1.3</td> </tr> <tr> <td>Center Contact (inner)</td> <td>Beryllium copper</td> <td>Ag3</td> </tr> <tr> <td>Insulator (interface)</td> <td>PTFE</td> <td></td> </tr> <tr> <td>Insulator (inner)</td> <td>Peek 90G</td> <td></td> </tr> <tr> <td>EMI gasket</td> <td>Silicone Loaded Ag</td> <td></td> </tr> </tbody> </table>	Dimension	mm	inches	A	15.15	0.596	ØB	6.65	0.262	C (1 hole)	0.3	0.012	D	11	0.433	Component	Materials	Plating (µm)	Body (Front)	Beryllium copper	NPRG (NiP2Au0.2)	Body (rear)	Brass	Ag3	Locking ground contact	Beryllium copper	NPGR (NiP2 Au0.2)	Locking cap	Beryllium copper	Ni2	Center Contact (interface)	Beryllium copper	Ni1.3 Au1.3	Center Contact (inner)	Beryllium copper	Ag3	Insulator (interface)	PTFE		Insulator (inner)	Peek 90G		EMI gasket	Silicone Loaded Ag	
Dimension	mm	inches																																												
A	15.15	0.596																																												
ØB	6.65	0.262																																												
C (1 hole)	0.3	0.012																																												
D	11	0.433																																												
Component	Materials	Plating (µm)																																												
Body (Front)	Beryllium copper	NPRG (NiP2Au0.2)																																												
Body (rear)	Brass	Ag3																																												
Locking ground contact	Beryllium copper	NPGR (NiP2 Au0.2)																																												
Locking cap	Beryllium copper	Ni2																																												
Center Contact (interface)	Beryllium copper	Ni1.3 Au1.3																																												
Center Contact (inner)	Beryllium copper	Ag3																																												
Insulator (interface)	PTFE																																													
Insulator (inner)	Peek 90G																																													
EMI gasket	Silicone Loaded Ag																																													

2.5.2. SMP Lock connector for SHF3MS cable

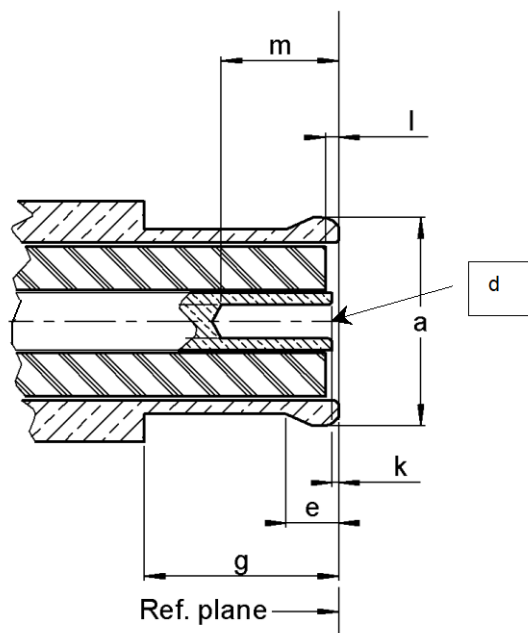
CONNECTOR REFERENCE	DESCRIPTION																																													
R232.L80.002	<p>Straight and Elbow Female (with venting hole)</p>  <table border="1" style="margin-left: auto; margin-right: auto;"> <thead> <tr> <th>Dimension</th> <th>mm</th> <th>inches</th> </tr> </thead> <tbody> <tr> <td>A</td> <td>19.11</td> <td>0.75</td> </tr> <tr> <td>ØB</td> <td>6.65</td> <td>0.262</td> </tr> <tr> <td>C (1 hole)</td> <td>0.3</td> <td>0.012</td> </tr> </tbody> </table> <p style="text-align: center;">C: venting Hole</p> <table border="1" style="margin-left: auto; margin-right: auto;"> <thead> <tr> <th>Component</th> <th>materials</th> <th>Plating (µm)</th> </tr> </thead> <tbody> <tr> <td>Body</td> <td>Beylium copper</td> <td>Ag3 and NPGR (NiP2 Au0.2)</td> </tr> <tr> <td>Locking ground contact</td> <td>Beylium copper</td> <td>NPGR (NiP2 Au0.2)</td> </tr> <tr> <td>Locking cap</td> <td>Beylium copper</td> <td>Ni2</td> </tr> <tr> <td>Center contact</td> <td>Beylium copper</td> <td>Ag2 Ni2 / Au1.3</td> </tr> <tr> <td>Insulator (interface)</td> <td>PTFE</td> <td>-</td> </tr> <tr> <td>Insulator (Inner)</td> <td>Peek G90</td> <td>Ag2 Ni2 / Au1.3</td> </tr> <tr> <td>EMI gasket</td> <td>Silicone Loaded Ag</td> <td>-</td> </tr> </tbody> </table>	Dimension	mm	inches	A	19.11	0.75	ØB	6.65	0.262	C (1 hole)	0.3	0.012	Component	materials	Plating (µm)	Body	Beylium copper	Ag3 and NPGR (NiP2 Au0.2)	Locking ground contact	Beylium copper	NPGR (NiP2 Au0.2)	Locking cap	Beylium copper	Ni2	Center contact	Beylium copper	Ag2 Ni2 / Au1.3	Insulator (interface)	PTFE	-	Insulator (Inner)	Peek G90	Ag2 Ni2 / Au1.3	EMI gasket	Silicone Loaded Ag	-									
Dimension	mm	inches																																												
A	19.11	0.75																																												
ØB	6.65	0.262																																												
C (1 hole)	0.3	0.012																																												
Component	materials	Plating (µm)																																												
Body	Beylium copper	Ag3 and NPGR (NiP2 Au0.2)																																												
Locking ground contact	Beylium copper	NPGR (NiP2 Au0.2)																																												
Locking cap	Beylium copper	Ni2																																												
Center contact	Beylium copper	Ag2 Ni2 / Au1.3																																												
Insulator (interface)	PTFE	-																																												
Insulator (Inner)	Peek G90	Ag2 Ni2 / Au1.3																																												
EMI gasket	Silicone Loaded Ag	-																																												
R232.L80.310	<p>Right angle Female (with venting hole)</p>  <table border="1" style="margin-left: auto; margin-right: auto;"> <thead> <tr> <th>Dimension</th> <th>mm</th> <th>inches</th> </tr> </thead> <tbody> <tr> <td>A</td> <td>15.15</td> <td>0.595</td> </tr> <tr> <td>ØB</td> <td>6.65</td> <td>0.262</td> </tr> <tr> <td>C (1 hole)</td> <td>0.3</td> <td>0.012</td> </tr> <tr> <td>D</td> <td>14.55</td> <td>0.57</td> </tr> </tbody> </table> <p style="text-align: center;">C: venting Hole</p> <table border="1" style="margin-left: auto; margin-right: auto;"> <thead> <tr> <th>Component</th> <th>materials</th> <th>Plating (µm)</th> </tr> </thead> <tbody> <tr> <td>Body (Front)</td> <td>Beylium copper</td> <td>Ag3 and NPGR (NiP2 Au0.2)</td> </tr> <tr> <td>Body (rear)</td> <td>Brass</td> <td>Ag3 and NPGR (NiP2 Au0.2)</td> </tr> <tr> <td>Locking ground contact</td> <td>Beylium copper</td> <td>NPGR (NiP2 Au0.2)</td> </tr> <tr> <td>Locking cap</td> <td>Beylium copper</td> <td>Ni2</td> </tr> <tr> <td>Center contact (interface)</td> <td>Beylium copper</td> <td>Ag2 Ni2 / Au1.3</td> </tr> <tr> <td>Center contact (inner)</td> <td>Beylium copper</td> <td>Ag3</td> </tr> <tr> <td>Insulator (interface)</td> <td>PTFE</td> <td>-</td> </tr> <tr> <td>Insulator (Inner)</td> <td>Peek G90</td> <td>Ag2 Ni2 / Au1.3</td> </tr> <tr> <td>EMI gasket</td> <td>Silicone Loaded Ag</td> <td>-</td> </tr> </tbody> </table>	Dimension	mm	inches	A	15.15	0.595	ØB	6.65	0.262	C (1 hole)	0.3	0.012	D	14.55	0.57	Component	materials	Plating (µm)	Body (Front)	Beylium copper	Ag3 and NPGR (NiP2 Au0.2)	Body (rear)	Brass	Ag3 and NPGR (NiP2 Au0.2)	Locking ground contact	Beylium copper	NPGR (NiP2 Au0.2)	Locking cap	Beylium copper	Ni2	Center contact (interface)	Beylium copper	Ag2 Ni2 / Au1.3	Center contact (inner)	Beylium copper	Ag3	Insulator (interface)	PTFE	-	Insulator (Inner)	Peek G90	Ag2 Ni2 / Au1.3	EMI gasket	Silicone Loaded Ag	-
Dimension	mm	inches																																												
A	15.15	0.595																																												
ØB	6.65	0.262																																												
C (1 hole)	0.3	0.012																																												
D	14.55	0.57																																												
Component	materials	Plating (µm)																																												
Body (Front)	Beylium copper	Ag3 and NPGR (NiP2 Au0.2)																																												
Body (rear)	Brass	Ag3 and NPGR (NiP2 Au0.2)																																												
Locking ground contact	Beylium copper	NPGR (NiP2 Au0.2)																																												
Locking cap	Beylium copper	Ni2																																												
Center contact (interface)	Beylium copper	Ag2 Ni2 / Au1.3																																												
Center contact (inner)	Beylium copper	Ag3																																												
Insulator (interface)	PTFE	-																																												
Insulator (Inner)	Peek G90	Ag2 Ni2 / Au1.3																																												
EMI gasket	Silicone Loaded Ag	-																																												

2.5.3. SMP Lock connector for SHF4.8MS cable

CONNECTOR REFERENCE	DESCRIPTION																																							
R232.L80.012	<p>Straight and Elbow Female (with venting hole)</p>  <table border="1" data-bbox="930 618 1469 786"> <thead> <tr> <th>Dimension</th> <th>mm</th> <th>inches</th> </tr> </thead> <tbody> <tr> <td>A</td> <td>20.46</td> <td>0.810</td> </tr> <tr> <td>ØB</td> <td>6.65</td> <td>0.292</td> </tr> <tr> <td>ØC (1 hole)</td> <td>0.3</td> <td>0.012</td> </tr> <tr> <td>ØD (2 holes)</td> <td>0.3</td> <td>0.012</td> </tr> </tbody> </table> <p>C&D: venting hole</p> <table border="1" data-bbox="475 871 1417 1149"> <thead> <tr> <th>Component</th> <th>materials</th> <th>Plating (µm)</th> </tr> </thead> <tbody> <tr> <td>Body</td> <td>Beylium copper</td> <td>Ag3 and NPGR (NiP2 Au0.2)</td> </tr> <tr> <td>Locking ground contact</td> <td>Beylium copper</td> <td>NPGR (NiP2 Au0.2)</td> </tr> <tr> <td>Locking cap</td> <td>Beylium copper</td> <td>Ni2</td> </tr> <tr> <td>Center contact</td> <td>Beylium copper</td> <td>Ag2 Ni2 / Au1.3</td> </tr> <tr> <td>Insulator (interface)</td> <td>PTFE</td> <td>-</td> </tr> <tr> <td>Insulator (Inner)</td> <td>Peek G90</td> <td>Ag2 Ni2 / Au1.3</td> </tr> <tr> <td>EMI gasket</td> <td>Silicone Loaded Ag</td> <td>-</td> </tr> </tbody> </table>	Dimension	mm	inches	A	20.46	0.810	ØB	6.65	0.292	ØC (1 hole)	0.3	0.012	ØD (2 holes)	0.3	0.012	Component	materials	Plating (µm)	Body	Beylium copper	Ag3 and NPGR (NiP2 Au0.2)	Locking ground contact	Beylium copper	NPGR (NiP2 Au0.2)	Locking cap	Beylium copper	Ni2	Center contact	Beylium copper	Ag2 Ni2 / Au1.3	Insulator (interface)	PTFE	-	Insulator (Inner)	Peek G90	Ag2 Ni2 / Au1.3	EMI gasket	Silicone Loaded Ag	-
Dimension	mm	inches																																						
A	20.46	0.810																																						
ØB	6.65	0.292																																						
ØC (1 hole)	0.3	0.012																																						
ØD (2 holes)	0.3	0.012																																						
Component	materials	Plating (µm)																																						
Body	Beylium copper	Ag3 and NPGR (NiP2 Au0.2)																																						
Locking ground contact	Beylium copper	NPGR (NiP2 Au0.2)																																						
Locking cap	Beylium copper	Ni2																																						
Center contact	Beylium copper	Ag2 Ni2 / Au1.3																																						
Insulator (interface)	PTFE	-																																						
Insulator (Inner)	Peek G90	Ag2 Ni2 / Au1.3																																						
EMI gasket	Silicone Loaded Ag	-																																						

2.6. Interchangeability for SMP Lock serie

2.6.1. SMP Lock Female DC-40GHz: MIL-STD 348a, NOTICE 6, FIGURE 326-1



	MIL-STD-348A				Comments
	Inch (original)		mm		
	mini.	maxi.	mini.	maxi.	
a	-	0,135	-	3,43	Dia, opened slots
d	-	-	-	-	Dia, Accept 0,015 +/- 0,001 (inch) dia pin
e	0,018	0,025	0,46	0,64	Uncabled connector
g	0,112	-	2,84	-	
k	0,000	0,008	0,00	0,20	Contact recession
l	0,000	-	0,00	-	Dielectric recession
m	0,070	-	1,78	-	